

Serie Scala

8421100

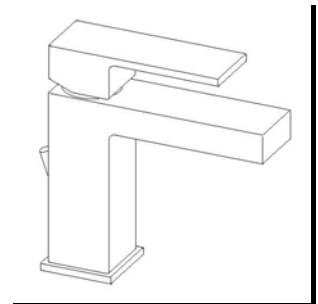
Single Control Lavatory

STANDARDS

- Comply with ASME A112.18.1-B125.1
- Comply with AB1953
- Comply with EPA Water Sense
- Comply with ANSI NSF61 – Annex G
- Certified by CSA International
- Comply with ANSI A117.1

| Finishes | 8421100PC | 8421100BN |
|-----------------|-----------|-----------|
| Polished Chrome | X | |
| Brushed Nickel | | X |

| Features | 8421100PC | 8421100BN |
|--|-----------|-----------|
| Solid Brass Construction | X | X |
| Single Control Ceramic Disc Valve | X | X |
| Meets NSF 61/9 Annex G Lead Requirements | X | X |
| Meets EPA Watersense Certification 1.5gpm, 5.7L/Min | X | X |
| ADA Compliant | X | X |
| Metal Pop-up | X | X |
| 1 hole installation. Optional 3-hole deckplate sold separately | X | X |
| Step-By-Step Installation Instructions | X | X |
| Limited Lifetime Warranty | X | X |



Project: _____
 Contractor: _____