

## Serie Scala

8440200

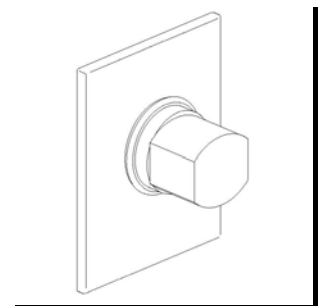
Trim for 1/2" & 3/4" Volume control

### STANDARDS

- Compliant with ASME A112.18.1-B125.1 requirements
- Certified By CSA international

<b>Finishes</b>	8440200PC	8440200BN
Polished Chrome	X	
Brushed Nickel		X

<b>Features</b>	8440200PC	8440200BN
Solid Brass Construction	X	X
Ceramic Disc Valving	X	X
3/4" NPT or 1/2" NPT inlet	X	X
Progressive Volume Control	X	X
Kit Includes Trim	X	X
Step-By-Step Installation Instructions	X	X
Limited Lifetime Warranty	X	X



Project: \_\_\_\_\_  
 Contractor: \_\_\_\_\_