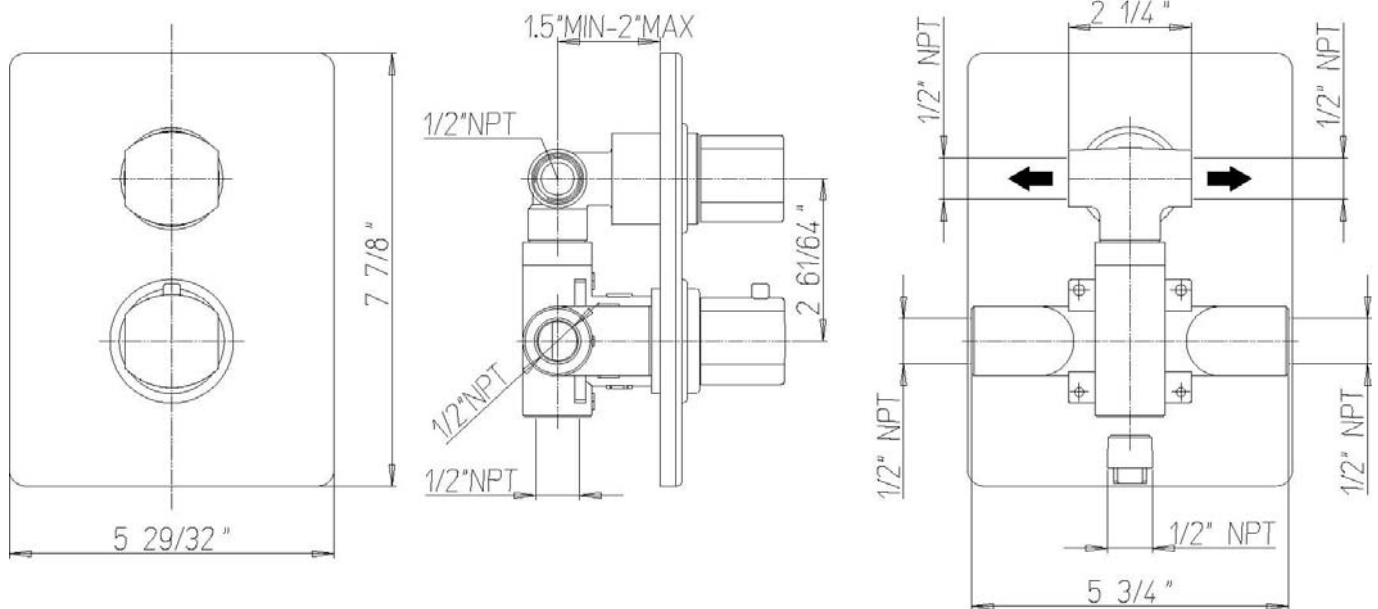


INSTALLATION DIMENSIONS

Serie Scala

8469100

1/2" Thermostatic Valve with
Diverter & Volume Ctrl trim only



1-877-55-FORTIS (36784)

19701 Da Vinci
Lake Forest, CA 92610

WWW.FORTISFAUCET.COM

FORTIS.
PURO DESIGN ITALIANO