

## Serie Scala

### 8469100

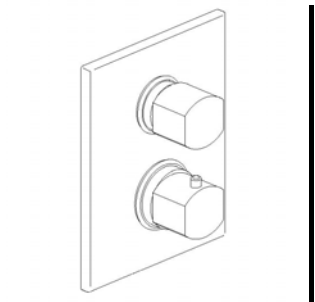
1/2" Thermostatic Valve with  
Diverter & Volume Ctrl trim only

### STANDARDS

- Compliant with ASME A112.18.1-B125.1
- Compliant with ASSE 1016
- Certified by CSA International

<b>Finishes</b>	8469100PC	8469100BN
Polished Chrome	X	
Brushed Nickel		X

<b>Features</b>	8469100PC	8469100BN
Solid Brass Construction	X	X
1/2" Stacked Thermostatic Valve Featuring Ceramic Discs	X	X
High Flow Valve Supports Multiple Outlets	X	X
Kit Includes Trim & Thermostatic cartridge	X	X
1/2" NPT Inlets	X	X
Diverter with Progressive Volume Control	X	X
Independent Temperature Control	X	X
Step-By-Step Installation Instructions	X	X
Limited Lifetime Warranty	X	X



Project: \_\_\_\_\_  
Contractor: \_\_\_\_\_