

Serie Scala

8475000

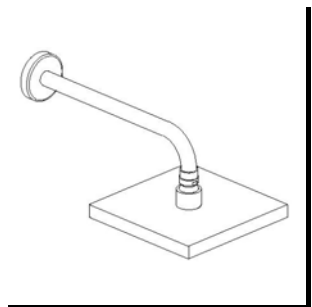
Showerhead Kit

STANDARDS

- Compliant with ASME A112.18.1-B125.1 requirements
- Certified By CSA international

| Finishes | 8475000PC | 8475000BN |
|-----------------|-----------|-----------|
| Polished Chrome | X | |
| Brushed Nickel | | X |

| Features | 8475000PC | 8475000BN |
|---|-----------|-----------|
| Raincan Showerhead Kit with Matching 12" arm and flange | X | X |
| Delivers 2.5gpm at 80psi MAX | X | X |
| Showerhead features Rotating Ball Joint | X | X |
| 1/2" NPT Inlets | X | X |
| Self Cleaning Spray Nozzles | X | X |
| Step-By-Step Installation Instructions | X | X |
| Limited Lifetime Warranty | X | X |



Project: _____
 Contractor: _____