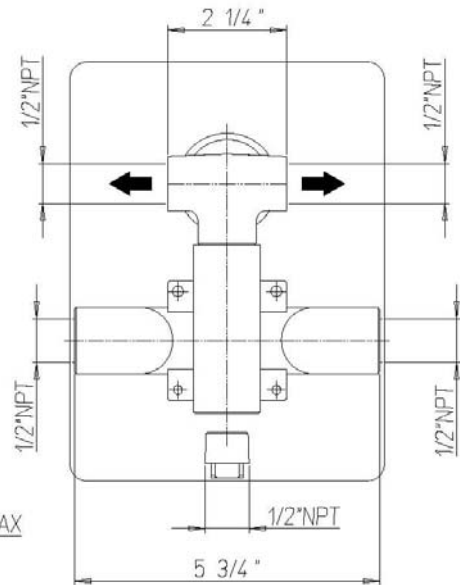
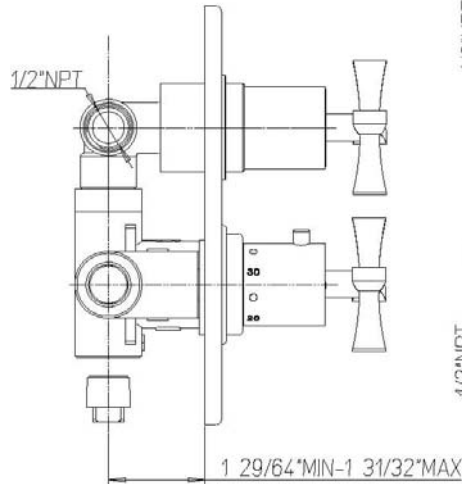
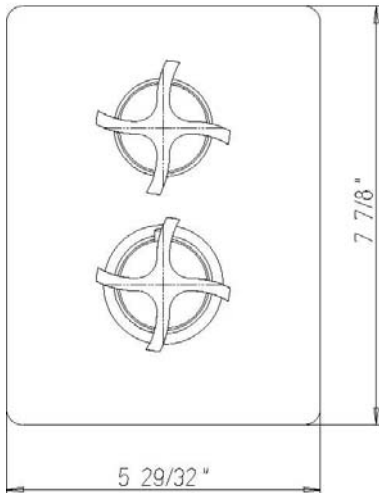


INSTALLATION DIMENSIONS

**Serie Siena**

8569100

1/2" Thermostatic Valve with  
Diverter & Volume Ctrl Trim only



1-877-55-FORTIS (36784)

19701 Da Vinci  
Lake Forest, CA 92610

WWW.FORTISFAUCET.COM

**FORTIS.**  
PURO DESIGN ITALIANO