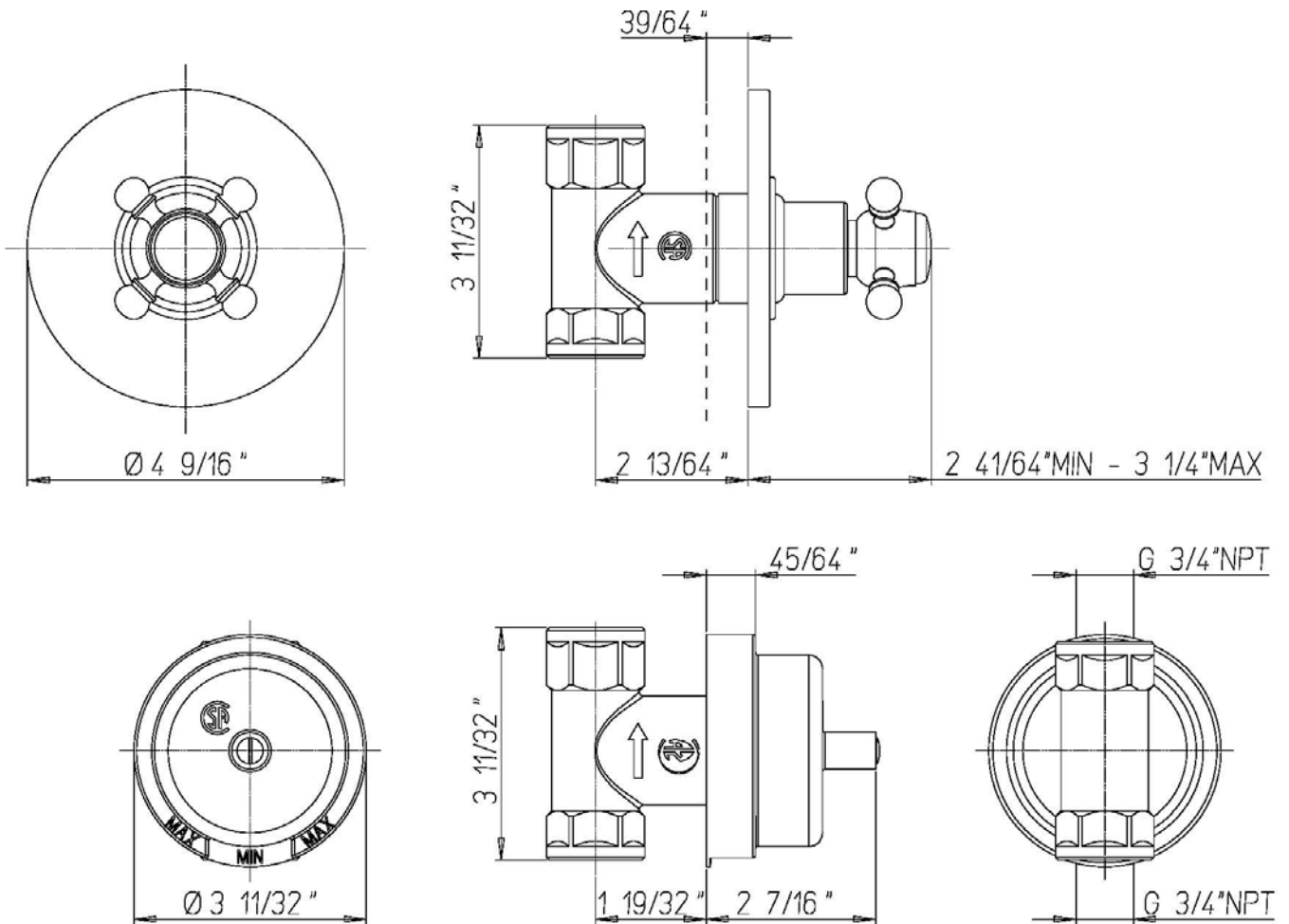


INSTALLATION DIMENSIONS

Serie Caffè

8840200

Trim for 1/2" & 3/4" Volume control



Serie Caffè

8840200

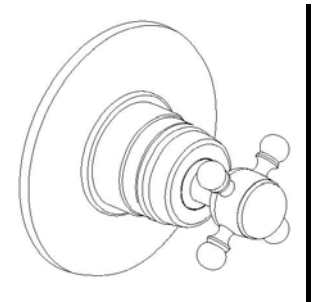
Trim for ½” & ¾” Volume control

STANDARDS

- Compliant with ASME A112.18.1-B125.1 requirements
- Certified By CSA international

Finishes	8840200PC	8840200BN	8840200TB
Polished Chrome	X		
Brushed Nickel		X	
Tuscan Bronze			X

Features	8840200PC	8840200BN	8840200TB
Solid Brass Construction	X	X	X
Ceramic Disc Valving	X	X	X
¾” NPT or ½” NPT inlet	X	X	X
Progressive Volume Control	X	X	X
Kit Includes Trim	X	X	X
Step-By-Step Installation Instructions	X	X	X
Limited Lifetime Warranty	X	X	X



Project: _____
 Contractor: _____