

## Serie San Marco

8940000

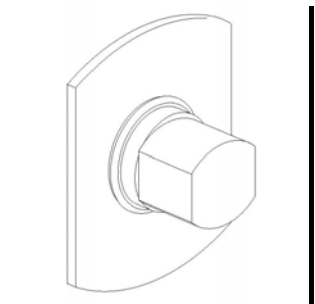
1/2" Volume Control

### STANDARDS

- Compliant with ASME A112.18.1-B125.1 requirements
- Certified By CSA international

<b>Finishes</b>	8940000PC	8940000BN	8940000TB
Polished Chrome	X		
Brushed Nickel		X	
Tuscan Bronze			X

<b>Features</b>	8940000PC	8940000BN	8940000TB
Solid Brass Construction	X	X	X
Ceramic Disc Valving	X	X	X
1/2" NPT Inlets	X	X	X
Progressive Volume Control	X	X	X
Kit Includes Valve & Trim	X	X	X
Step-By-Step Installation Instructions	X	X	X
Limited Lifetime Warranty	X	X	X



Project: \_\_\_\_\_

Contractor: \_\_\_\_\_