

Serie San Marco

8940200

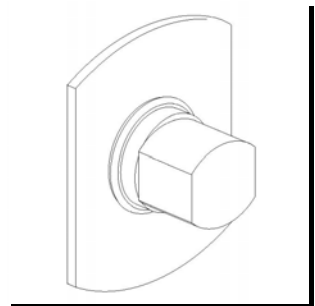
3/4" Volume Control

STANDARDS

- Compliant with ASME A112.18.1-B125.1 requirements
- Certified By CSA international

Finishes	8940200PC	8940200BN	8940200TB
Polished Chrome	X		
Brushed Nickel		X	
Tuscan Bronze			X

Features	8940200PC	8940200BN	8940200TB
Solid Brass Construction	X	X	X
Ceramic Disc Valving	X	X	X
3/4" NPT Inlets	X	X	X
Progressive Volume Control	X	X	X
Kit Includes Valve & Trim	X	X	X
Step-By-Step Installation Instructions	X	X	X
Limited Lifetime Warranty	X	X	X



Project: _____
 Contractor: _____