

- | | |
|---|--|
| T40-DFOC Finish(C) <input type="checkbox"/> | GT40-DFOB Finish(B) <input type="checkbox"/> |
| T40-DFOK Finish(K) <input type="checkbox"/> | GT40-DFOC Finish(C) <input type="checkbox"/> |
| | GT40-DFOK Finish(K) <input type="checkbox"/> |

Specifications

Features

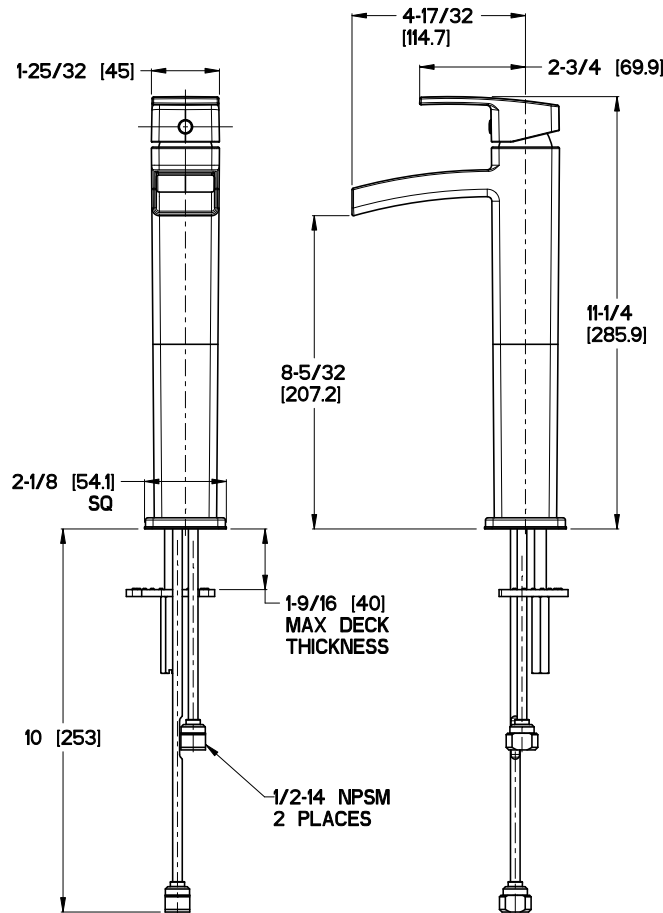
- All Metal Construction
- Complete Collection with Coordinating Roman Tub & Tub Shower Options
- Decorative Polished Trough Spout
- Fixed Spout Lever Handle
- Single-Post Mounting
- Mounting Hardware Included
- Less Pop-Up
- Not Drilled
- Pforever Seal Ceramic Disc Valve
- Pforever Warranty®

Code Compliance

- Pfister products are designed and manufactured in compliance with the following standards and codes:
- IAPMO Certified
 - CSA B125 Certified
 - ASME A112.18.1
 - NSF 61/9 Annex G (Low lead) (GT40 Only)
 - Cal Green Compliant
 - EPA WaterSense Certification 1.5 gpm, 5.7 L/Min
 - ADA Compliant-ANSI A117.1 (Lever handles only)



Dimensions



Ø1 Min to Ø1-1/2 Max. Deck Hole Openings