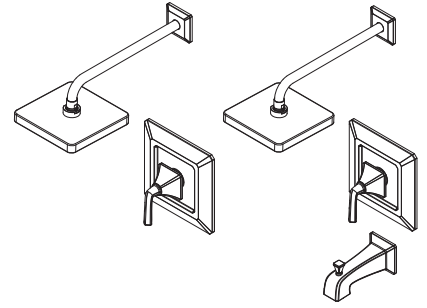


- | | |
|--|--|
| G89-7FEC Finish(CC) <input type="checkbox"/> | G89-8FEC Finish(CC) <input type="checkbox"/> |
| G89-7FED Finish(DD) <input type="checkbox"/> | G89-8FED Finish(DD) <input type="checkbox"/> |
| G89-7FEK Finish(KK) <input type="checkbox"/> | G89-8FEK Finish(KK) <input type="checkbox"/> |
| G89-7FEY Finish(YE) <input type="checkbox"/> | G89-8FEY Finish(YE) <input type="checkbox"/> |



Specifications

- Lever Handles
- Trim Only, Valve Not Included

Features

- Solid Brass Construction
- Lever Handle
- Fits OX8 and OX9 Valve Bodies
- Shower Only (7FE Only)
- Tub & Shower (8FE Only)
- Trim Only, Valve Not Included
- Metal Shower Arm and Flange
- 2.0 GPM Shower Head
- Decorative Rain Can Shower Head
- Quick Connect Tub Spout (8FE Only)
- Solid Cast Brass Tub Spout (8FE Only)
- Easy Clean Nozzles
- Pforever Warranty®

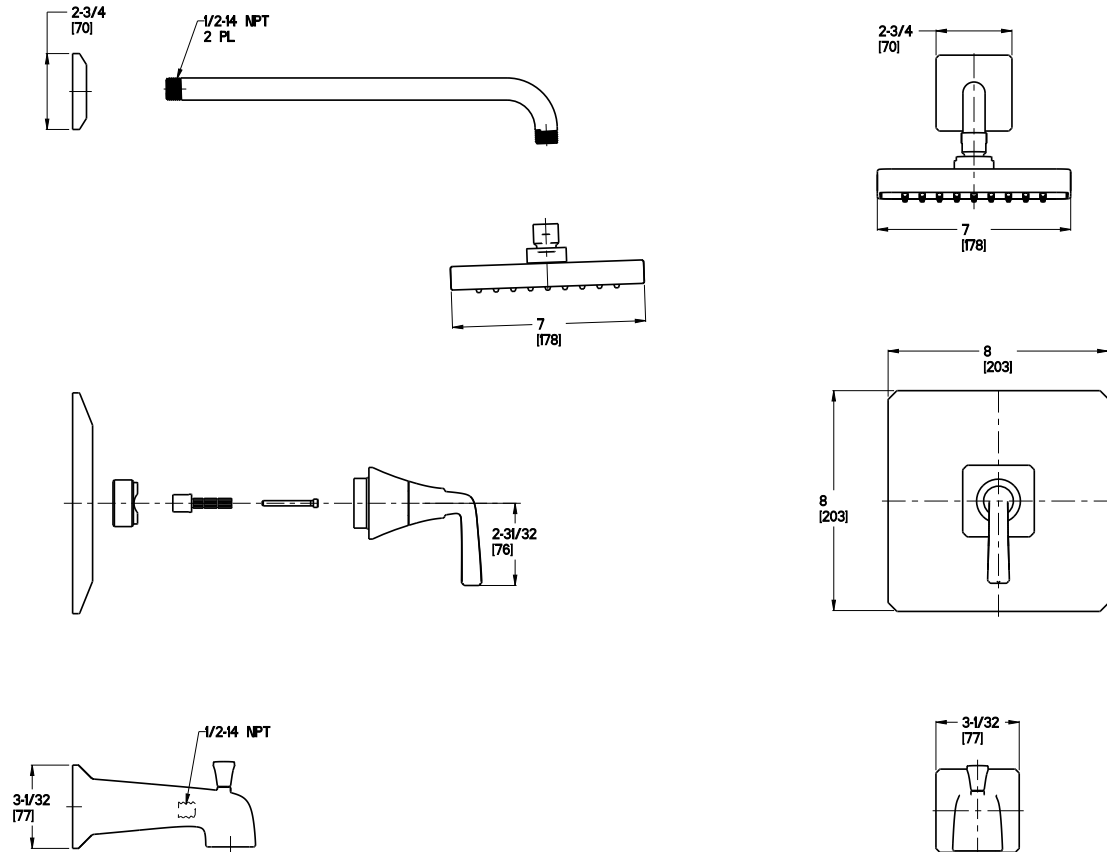
Code Compliance

Pfister products are designed and manufactured in compliance with the following standards and codes:

- IAPMO Certified
- CSA B125 Certified
- ASME A112.18.1
- Cal Green Compliant
- ADA Compliant-ANSI A117.1 (Lever handles only)



Dimensions



Ø1 Min to Ø1-1/2 Max. Deck Hole Openings