

- |   |   |
|---|---|
| G89-7TRC Finish(C) <input type="checkbox"/> | G89-8TRC Finish(C) <input type="checkbox"/> |
| G89-7TRD Finish(D) <input type="checkbox"/> | G89-8TRD Finish(D) <input type="checkbox"/> |
| G89-7TRK Finish(K) <input type="checkbox"/> | G89-8TRK Finish(K) <input type="checkbox"/> |
| G89-7TRY Finish(Y) <input type="checkbox"/> | G89-8TRY Finish(Y) <input type="checkbox"/> |



### Specifications

- Lever Handle
- Trim Only, Valve Not Included

### Features

- All Metal Construction
- Multi-Function Shower Head
- Pforever Warranty®

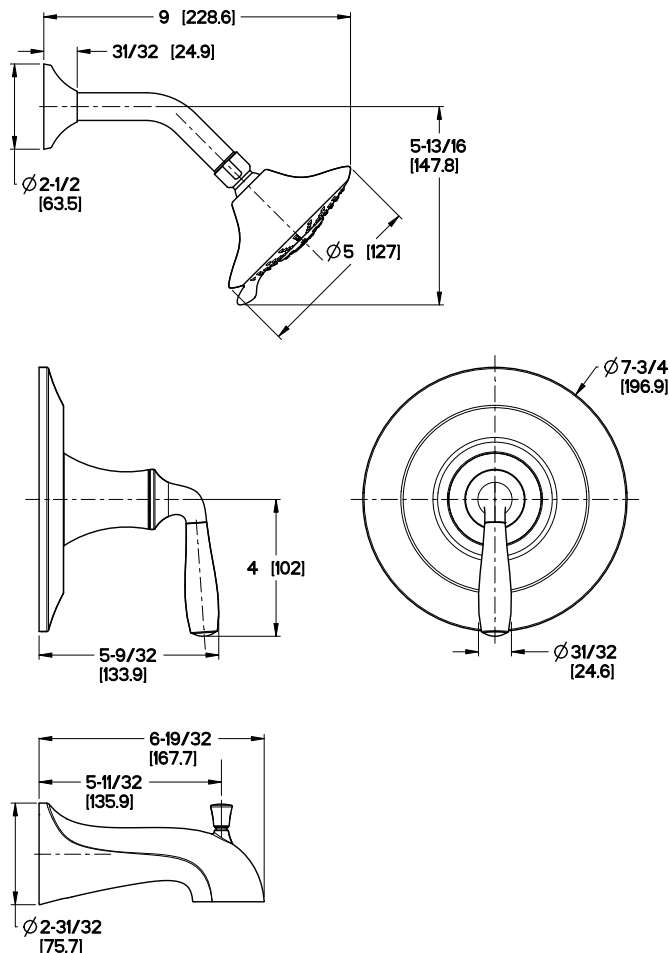
### Code Compliance

Pfister products are designed and manufactured in compliance with the following standards and codes:

- IAPMO Certified
- CSA B125 Certified
- ASME A112.18.1
- ASSE 1016
- Cal Green Compliant
- EPA WaterSense Certification 1.5 gpm, 5.7L/Min
- ADA Compliant-ANSI A117.1 (Lever handles only)



### Dimensions



$\phi 1$  Min to  $\phi 1-1/2$  Max. Deck Hole Openings