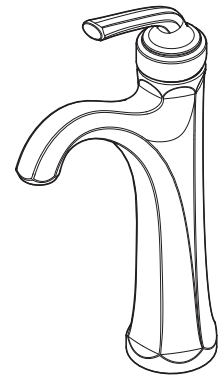


Arterra™ Single Control Vessel



- GT40-DEOC Finish(C)
- GT40-DEOD Finish(D)
- GT40-DEOK Finish(K)
- GT40-DEOY Finish(Y)

Specifications

- Single Control

Features

- 1.5 GPM Flow Rate
- All Metal Construction
- Mounting Hardware Included
- Optional Deckplate
- Pforever Warranty®

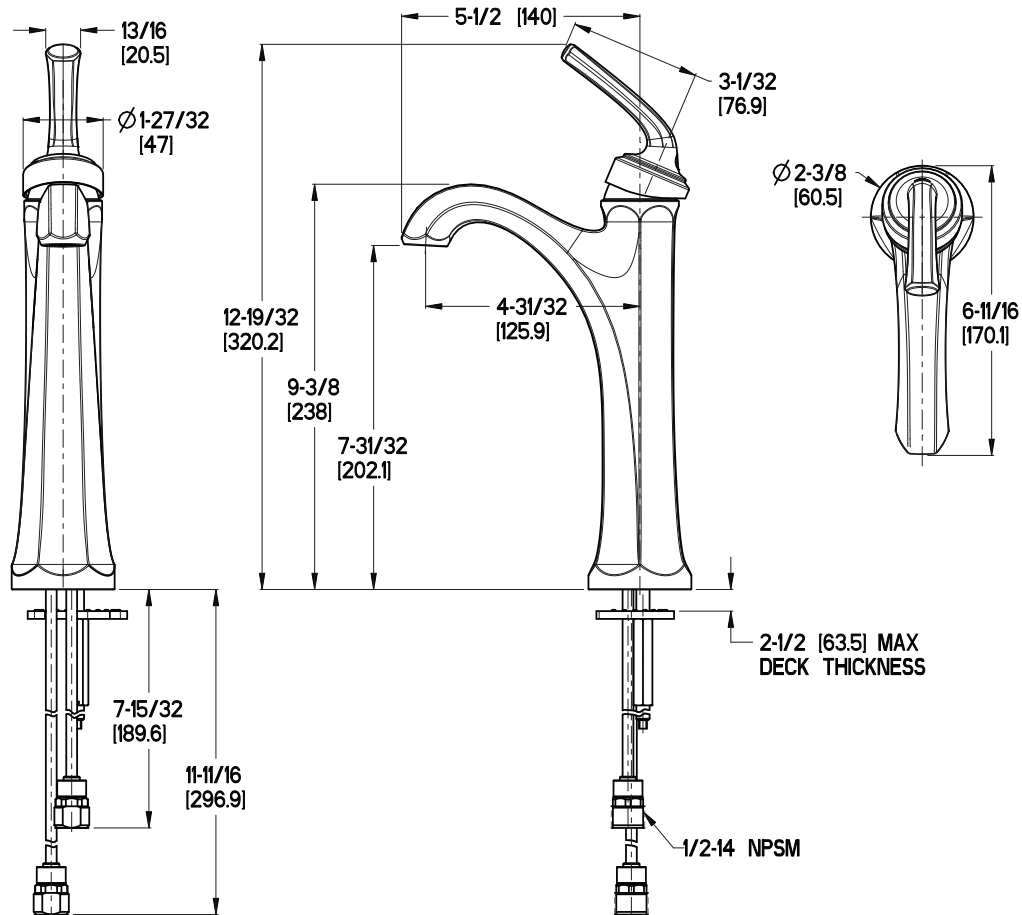
Code Compliance

Pfister products are designed and manufactured in compliance with the following standards and codes:

- IAPMO Certified
- CSA B125 Certified
- ASME A112.18.1
- NSF 61/9 Annex G (Low lead)
- Cal Green Compliant
- EPA WaterSense Certification 1.5 gpm, 5.7L/Min
- ADA Compliant-ANSI A117.1 (Lever handles only)



Dimensions



Ø1 Min to Ø1-1/2 Max. Deck Hole Openings