

- GT40-TROC Finish(C)
- GT40-TROD Finish(D)
- GT40-TROK Finish(K)
- GT40-TROY Finish(Y)

Specifications

- Single Control

Features

- All Metal Construction
- Mounting Hardware Included
- Pforever Warranty®

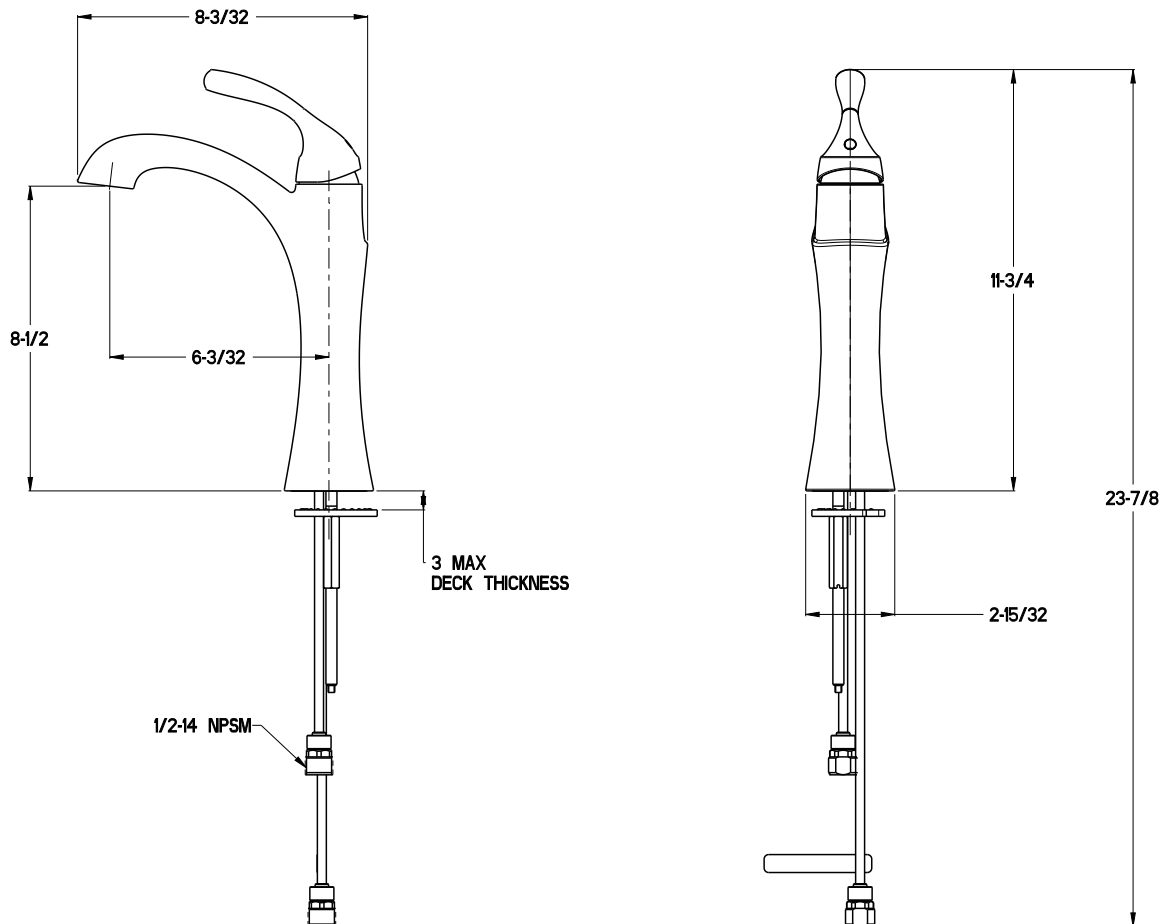
Code Compliance

Pfister products are designed and manufactured in compliance with the following standards and codes:

- IAPMO Certified
- CSA B125 Certified
- ASME A112.18.1
- NSF 61/9 Annex G (Low lead)
- Cal Green Compliant
- EPA WaterSense Certification 1.5 gpm, 5.7L/Min
- ADA Compliant-ANSI A117.1 (Lever handles only)



Dimensions



Ø1 Min to Ø1-1/2 Max. Deck Hole Openings