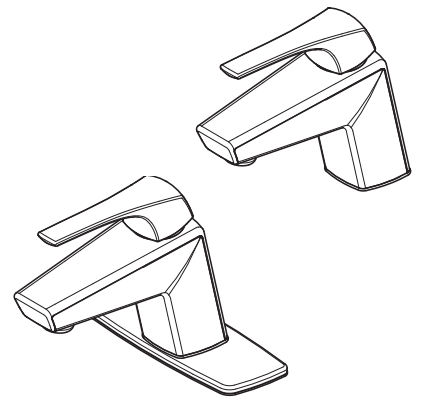


- GT42-LPMC Finish(C)
- GT42-LPMK Finish(K)



## Specifications

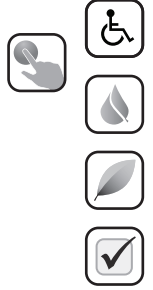
### Features

- 1.5 GPM Flow Rate
- 3 Hole Deckplate, Sold Separately
- Mounting Hardware Included
- Push and Seal™ Pop-Up
- PVD Finish (K Finish Only)
- Temperature Limit Stop
- Pforever Seal Ceramic Disc Valve
- Pforever Warranty®

### Code Compliance

Pfister products are designed and manufactured in compliance with the following standards and codes:

- IAPMO Certified
- CSA B125 Certified
- ASME A112.18.1
- NSF 61/9 Annex G (Low lead)
- Cal Green Compliant
- EPA WaterSense Certification 1.5 gpm, 5.7L/Min
- ADA Compliant-ANSI A17.1 (Lever handles only)



## Dimensions

