

- GT72-YP2C Finish(CC)
- GT72-YP2K Finish(KK)
- GT72-YP2U Finish(UU)
- GT72-YP2Y Finish(YY)

- 2-Hole Installation
- Pforever Seal
- Temperature Memory Feature Retains Desired Temperature Setting

Specifications

Features

- 2.2 GPM (8.33 L/M) Flow Rate
- Temperature Memory Feature Retains Desired Temperature Setting
- Includes Metal Supply Nuts
- Accommodates Up to 2" Deck Thickness
- 360° Swivel Spout
- High-Arc Decorative Spout
- Pforever Seal Ceramic Disc Valve
- Pforever Warranty®

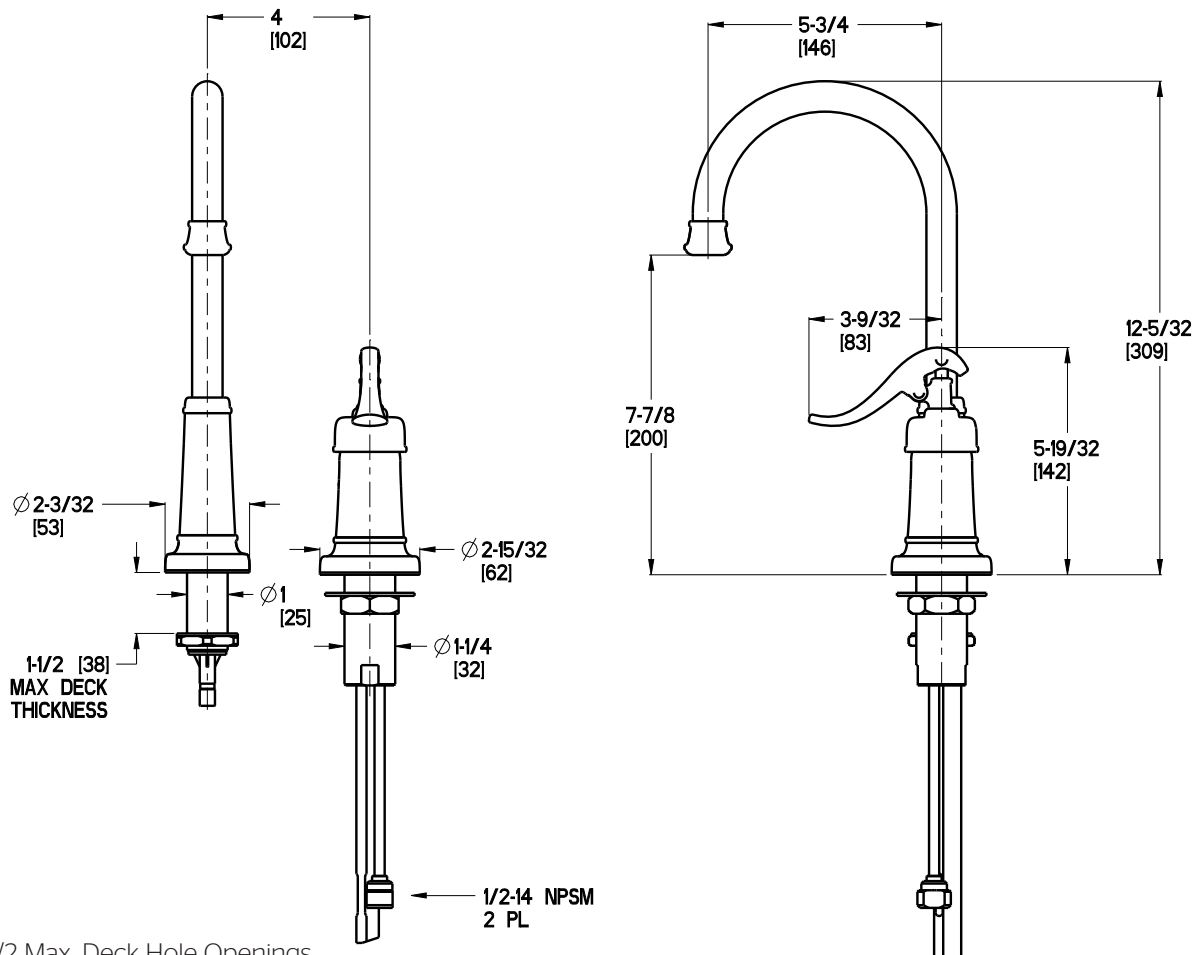
Code Compliance

Pfister products are designed and manufactured in compliance with the following standards and codes:

- IAPMO Certified
- CSA B125 Certified
- ASME A112.18.1
- NSF 61/9 Annex G (Low lead)
- ADA Compliant-ANSI A117.1 (Lever handles only)



Dimensions



Ø1-3/8 Min to Ø1-1/2 Max. Deck Hole Openings