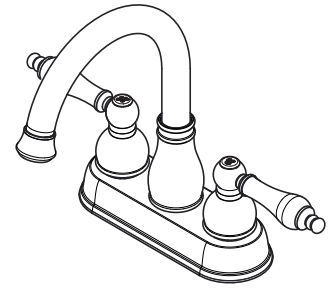


Henlow™ 4" Centerset Lavatory Faucet

- LF-048-HECC Finish(CC)
- LF-048-HEKK Finish(KK)
- LF-048-HEY Y Finish(Y)



Specifications

- 3-Hole Installation
- Washerless Cartridges
- Push & Seal™ Pop-Up

Features

- 1.2 GPM Flow Rate
- 3-Hole Installation
- 360° Rotating Spout
- All Metal Construction
- High Arc Spout
- Mounting Hardware Included
- Mounting Posts Included
- Push & Seal™ Pop-Up
- TiteSeal™ Deckplate
- Washerless Cartridge
- Pforever Warranty®

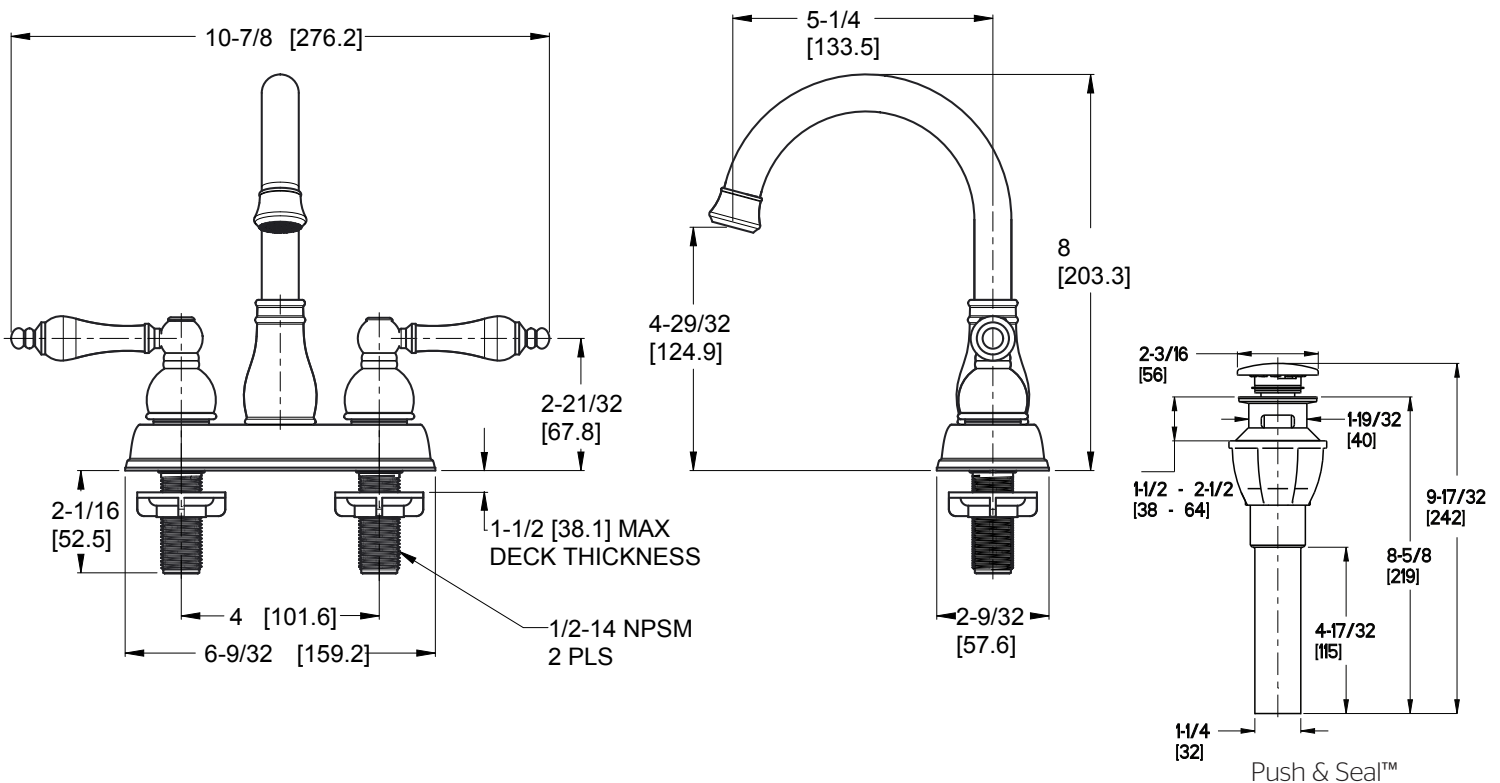
Code Compliance

Pfister products are designed and manufactured in compliance with the following standards and codes:

- IAPMO Certified
- CSA B125 Certified
- ASME A112.18.1
- Cal Green Compliant
- CEC Compliant
- NSF 61/9 Annex G (Low lead)
- EPA WaterSense Certification 1.2 gpm, 4.5 L/Min
- ADA Compliant-ANSI A117.1 (Lever handles only)



Dimensions



Ø1 Min to Ø1-1/2 Max. Deck Hole Openings