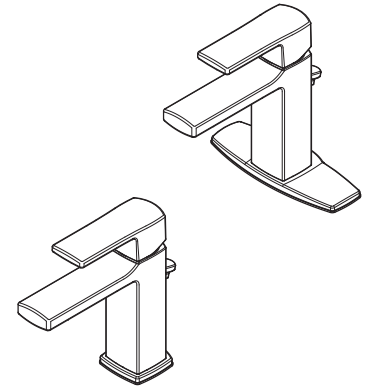


LG42-DAOB Finish(B)

LG42-DAOC Finish(C)

LG42-DAOK Finish(K)



Specifications

- 1 or 3-Hole Installation
- All Metal Construction
- Pforever Seal

Features

- 1.2 GPM Flow Rate
- All Metal Construction
- 1 or 3-Hole Installation
- Optional Deckplate, Order 961-230*
- All Metal Pop-Up Rod
- 1.0 GPM Flow Rate Optional, Order 941-663
- Pforever Seal Ceramic Disc Valve
- Pforever Warranty®

Code Compliance

Pfister products are designed and manufactured in compliance with the following standards and codes:

- IAPMO Certified
- CSA B125 Certified
- ASME A112.18.1
- NSF 61/9 Annex G (Low lead)
- CEC Compliant
- Cal Green Compliant
- ADA Compliant-ANSI A117.1 (Lever handles only)
- EPA WaterSense Certification 1.2 gpm, 4.5 L/Min



Dimensions

