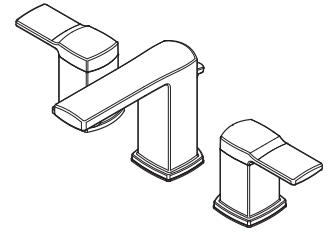


- LG49-DAOB Finish(C)
- LG49-DAOC Finish(C)
- LG49-DAOK Finish(K)



## Specifications

- Two-Handle
- All Metal Construction
- Pforever Seal

### Features

- 1.2 GPM Flow Rate
- Includes All Metal Pop-Up
- 1.0 GPM Flow Rate Optional, Order 941-663
- Pforever Seal Ceramic Disc Valves
- Pforever Warranty®

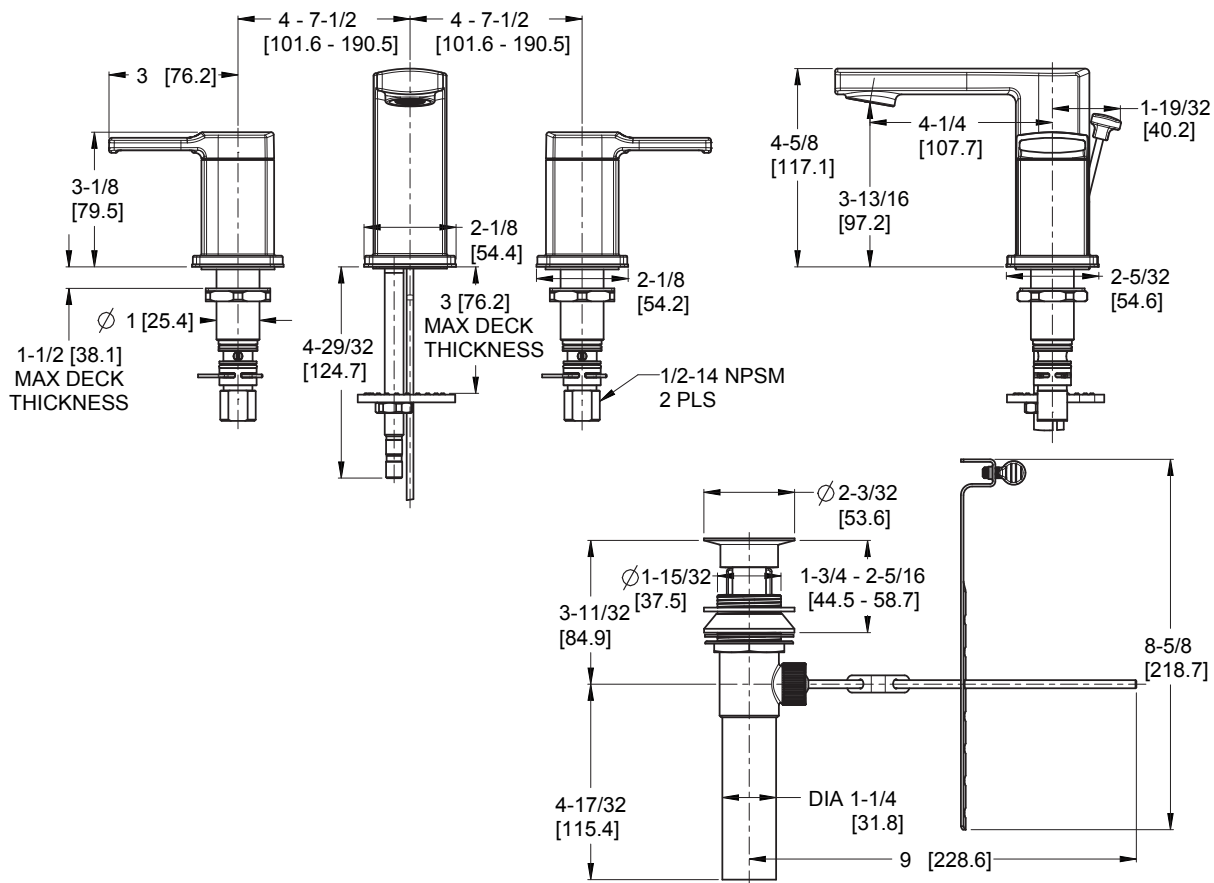
### Code Compliance

Pfister products are designed and manufactured in compliance with the following standards and codes:

- IAPMO Certified
- CSA B125 Certified
- ASME A112.18.1
- NSF 61/9 Annex G (Low lead)
- Cal Green Compliant
- CEC Compliant
- ADA Compliant-ANSI A117.1 (Lever handles only)
- EPA WaterSense Certification 1.2 gpm, 4.5 L/Min



## Dimensions



$\phi$ 1 Min to  $\phi$ 1-1/2 Max. Deck Hole Openings

Metal Pop-Up