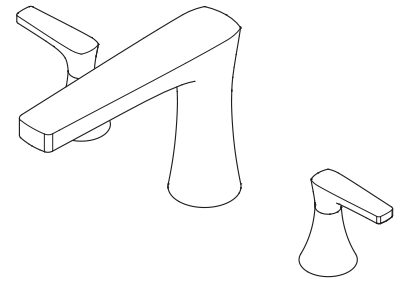


RT6-5MFC Finish(C)

RT6-5MFK Finish(K)



Specifications

Features

- 9 GPM Flow Rate
- 3-Hole Installation
- All Metal Construction
- Pforever Warranty®

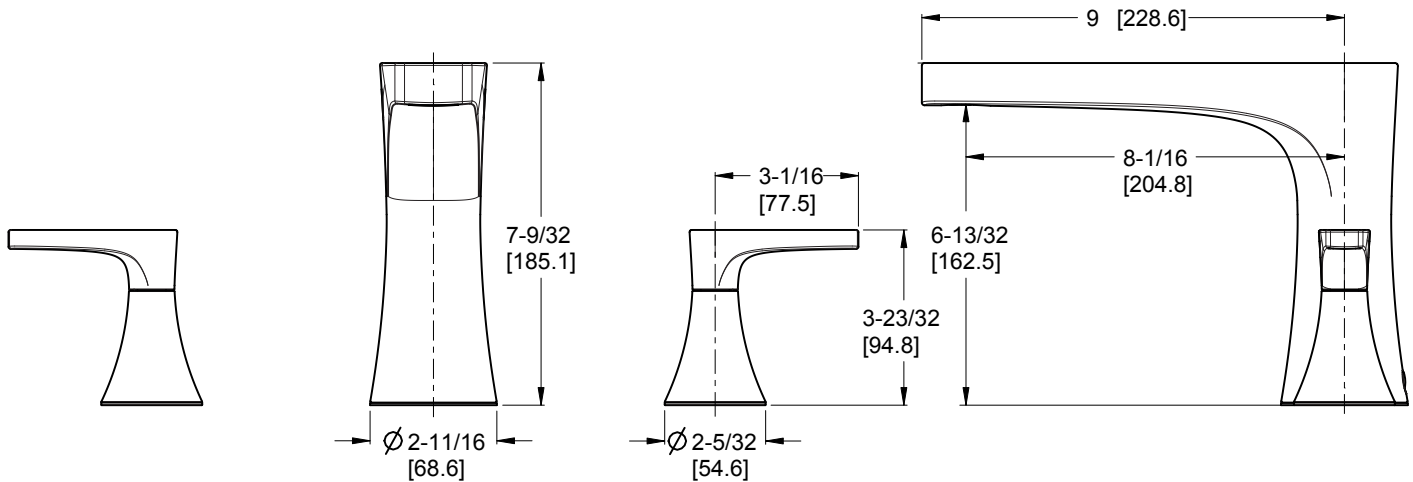
- 3-Hole Installation
- Trim Only, Valve Not Included

Code Compliance

Pfister products are designed and manufactured in compliance with the following standards and codes:

- IAPMO Certified
- CSA B125 Certified
- ASME A112.18.1

Dimensions



$\varnothing 1$ Min to $\varnothing 1\frac{1}{2}$ Max. Deck Hole Openings