

SPECIFICATION SUBMITTAL

Highlights

- Pforever Warranty®
- Complete Collection with Coordinating Lavatory and Roman Tub Options
- Step-By-Step Installation Instructions

Code Compliance

Price Pfister products are designed and manufactured in compliance with the following standards and codes:

- IAPMO certified • ASME A112.18.1
- CSA B125 certified • ASSE 1016
- ANSI A117.1 (Lever handles only)

R89 Series

Portola

Shower Trim

Lever Handle
Quick Connect
Trim Only, Valve Not Included

Finishes

Tuscan Bronze	R891RPC	x
Polished Chrome	R891RPK	x
Brushed Nickel	R891RPY	x

Features

Complete Collection with Coordinating Lavatory and Roman Tub Options	R891RPC	x	x	x	
Metal Lever Handles	R891RPK	x	x	x	
Quick Trim Installation—Attaches Without Tools, No Exposed Screws	R891RPY	x	x	x	R891RPC <input type="checkbox"/>
ADA Compliant		x	x	x	R891RPK <input type="checkbox"/>
Fits 0X8, JX8, TX8 and VB8 Valve Bodies		x	x	x	R891RPY <input type="checkbox"/>
Pforever Warranty®		x	x	x	

Valve only trim. No showerhead or shower flange included

For additional information, please contact your Price Pfister representative, or visit our website at www.pricepfister.com.

Project: _____

Contractor: _____

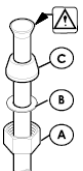
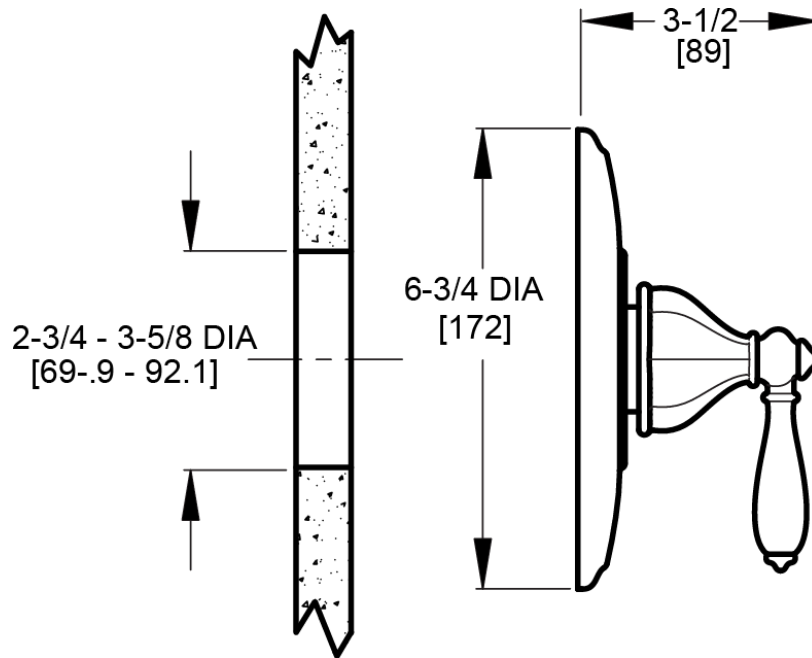
SS-R891-RP

1-800-PFAUCET www.pricepfister.com
19701 DaVinci, Lake Forest, CA 92610
02/26/12

Pfister™

INSTALLATION DIMENSIONS

R89 Series
Portola™
Shower Trim



CAUTION:
When using the compression fittings in this package, with these types of installations, the installer must flare or bead the water supply lines to avoid blow-out conditions. Avoiding such steps in the installation of the unit may result in water damage.

Connect inlet supply lines by assembling brass supply nut (A), friction ring (B) and cone washer (C) onto 3/8" O.D. straight copper tube. Bead or flare. Wrench tighten.

1-800-PFAUCET www.pricepfister.com
19701 DaVinci, Lake Forest, CA 92610
02/24/12

Pfister™

SS-R891-RP