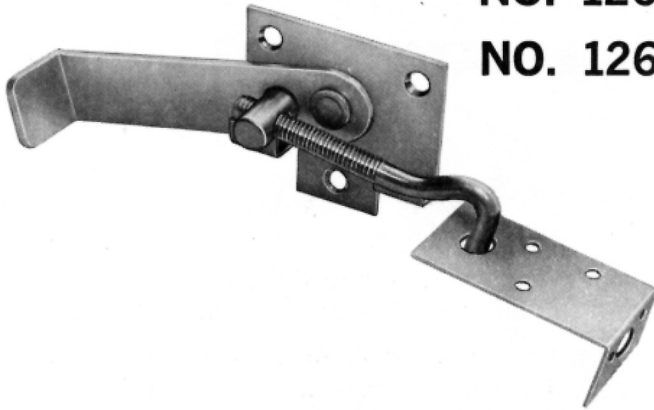


NO. 1265 JAMB LATCH — with 4" hook
NO. 1264 JAMB LATCH — with 7" hook



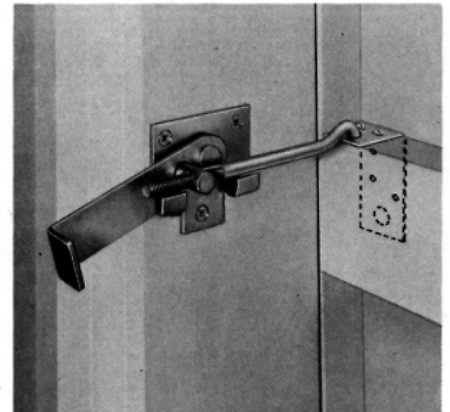
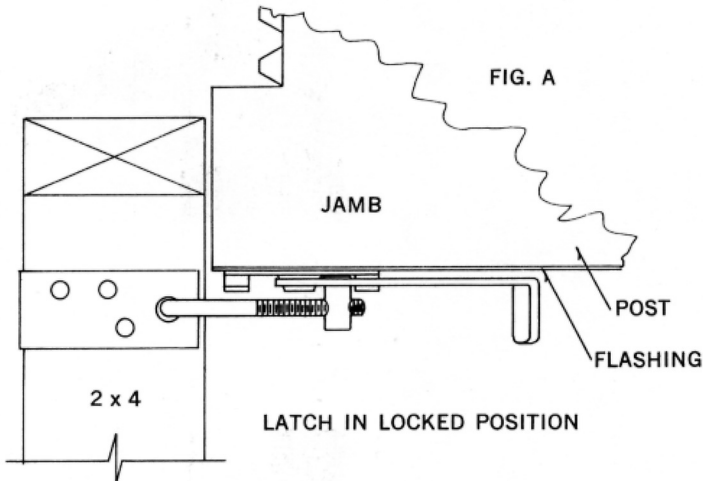
A cam-action latch designed to hold wood or metal sliding doors firmly in place against the door jamb. Also used on bi-parting or swinging doors and gates; end gates, stake panels on trucks and other closures on farm buildings.

Adjustable hook allows for variable tension when snug-ging the door against the jamb. For right or left-hand installation. Handle of No. 1265 Latch can be used as a stop when door is in fully open position — simply flip

handle approximately 180 degrees. See Fig. F on reverse side of sheet.

No. 1264 Latch with 7-inch hook suitable for use where a long reach is necessary because of jamb construction.

TOP VIEW



SIDE VIEW

