



Hardware  
Makers  
Since 1901



# TrackMaster™

## ROUND RAIL AND HANGER

# INSTRUCTIONS

ALL NATIONAL TRACKMASTER HANGERS CAN BE USED WITH ALL TRACKMASTER ROUND RAIL – AND WITH OTHER BRANDS OF ROUND RAIL.

## TrackMaster “ROUND” CHECKLIST

### RAIL

Plain Rail (6' - 24')	5400
Top Mount Rail with Flashing Brackets (8' - 20')	5460
Top Mount Rail (8' - 20')	5433
Face Mount Rail (8' - 20')	5430

### HANGERS

#### Delrin® Wheels, Flexible Trunnion, Steel Roller Bearings

Straight Bolt 3 1/8" or 5"	5301
Offset Bolt (Wood door)	5302
Door Strap (Black)	5306

#### Hardened Steel Wheels, Flexible Trunnion, Steel Roller Bearings

Straight Bolt 3 1/8" or 5"	5351
Offset Bolt (Wood door)	5352
Offset Bolt (TAB-LOC™)	5360

### RAIL/MOUNTING BRACKETS

Single Bracket	5410
Single Splice Bracket	5411
Single Bracket (Adj.)	5412
Single Splice Bracket (Adj.)	5413
Rail End Cap	5408
Double Bracket (Adj.)	5414
Double Splice Bracket (Adj.)	5415
Rail Bracket Only	5418
Splice Bracket Only	5419
Splice Collar	5405

Offset Bolt (TAB-LOC™)	5310
Door Strap	5330
Door Strap with Outside Adjustment	5332

Door Strap	5380
Door Strap with Outside Adjustment	5382

### FLASHING AND FLASHING BRACKETS

Snap-On Flashing Bracket (1 1/2" door)	5436
Snap-On Flashing Bracket (3 1/2" door)	5437
Face Mount Flashing (1 1/2" door)	5450
Top Mount Flashing (1 1/2" door)	5455

### Door Frames

TAB-LOC™ (Steel) 6021, 6002, Easy Frame® Verticals (Steel and Wood) 6060, 6059

### Bottom Guide

Continuous Bottom Guide 6061, 6062

### Accessory Hardware

Pulls, Stops, Latches, etc.

For more information, see Sliding Door Systems Brochure No. 1927

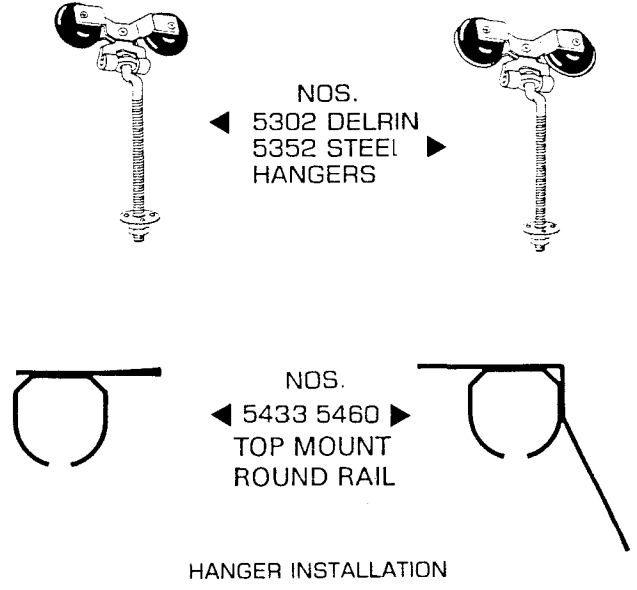
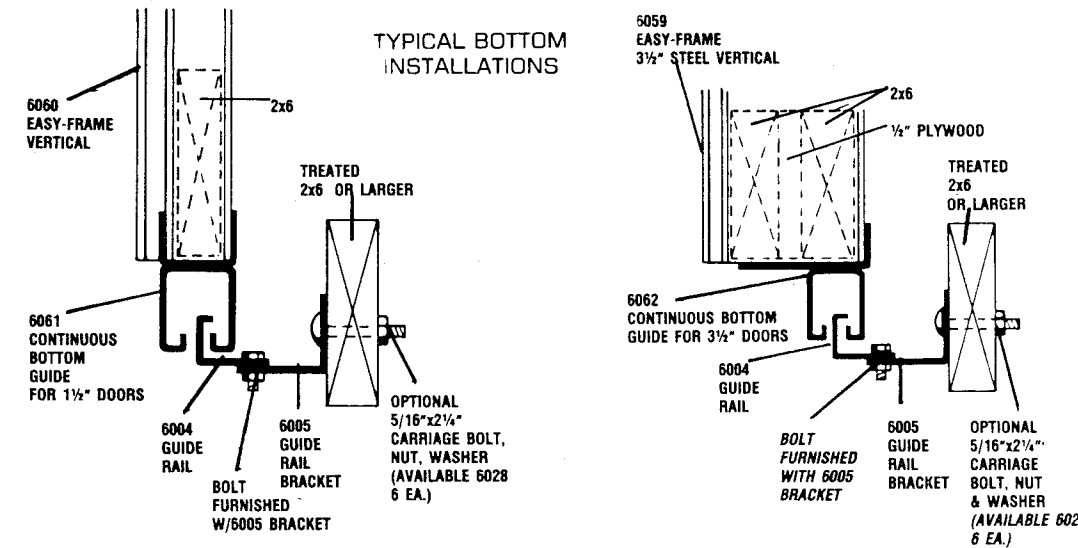
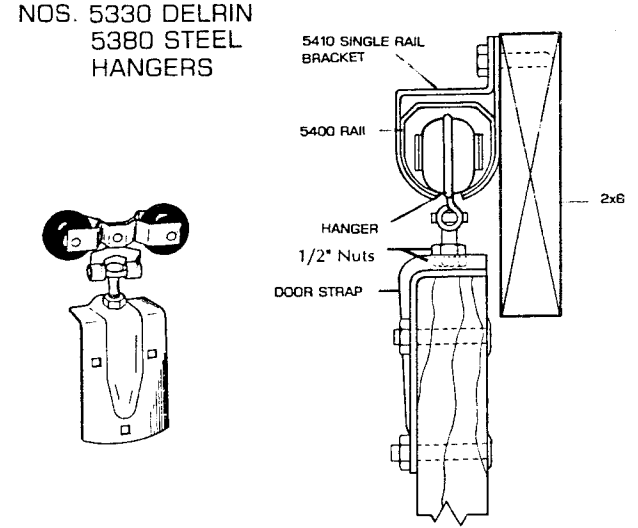
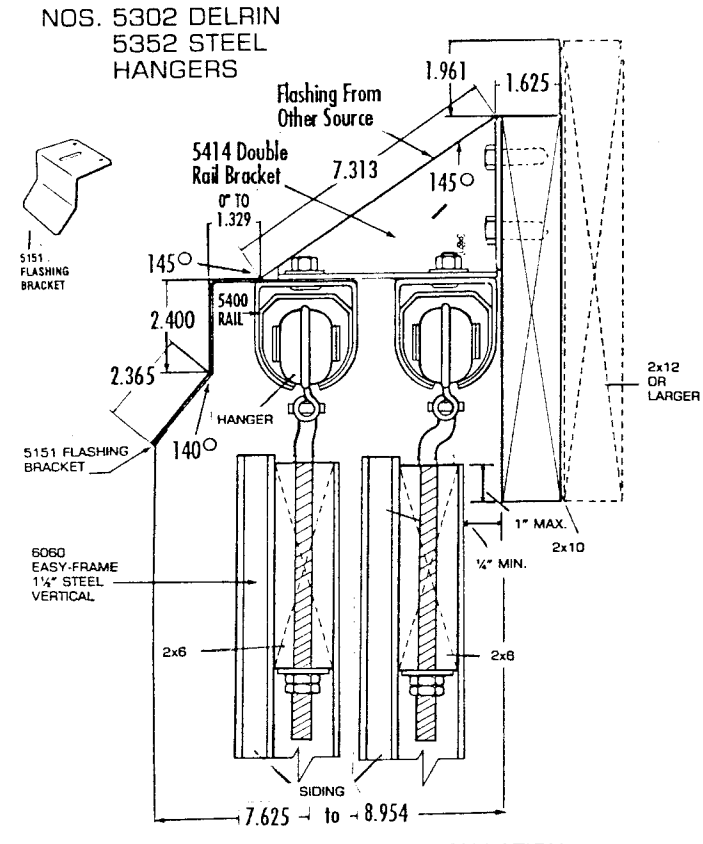
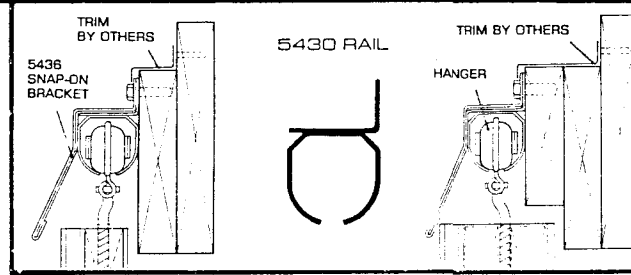
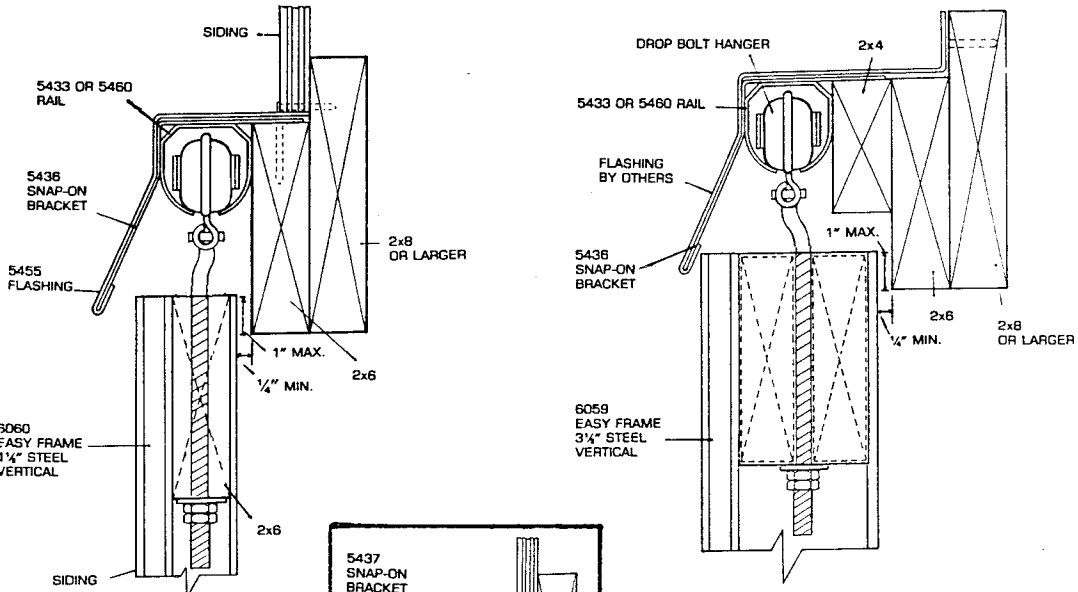
NATIONAL ALSO MANUFACTURES A FULL LINE OF BOX RAIL AND HANGERS FOR SLIDING DOOR SYSTEMS.

1 1/2" THICK DOORS — TOP MOUNT — 3 1/2" THICK DOORS

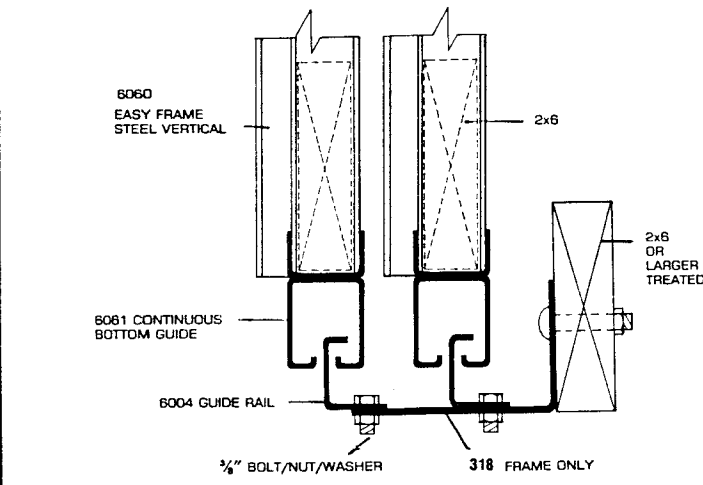
FACE MOUNTS WITH 5430 RAIL

BY-PASS INSTALLATION

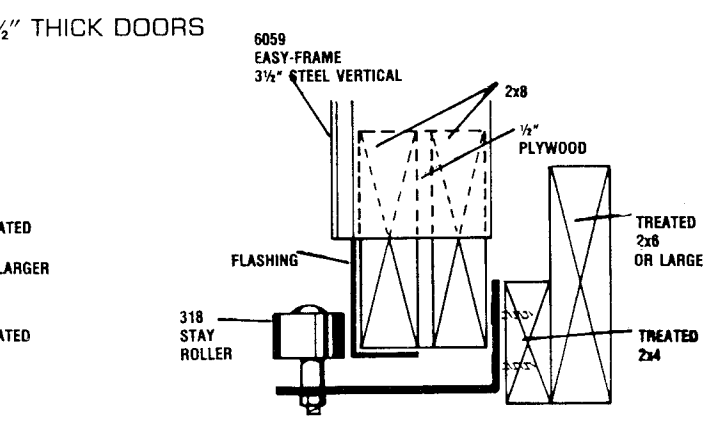
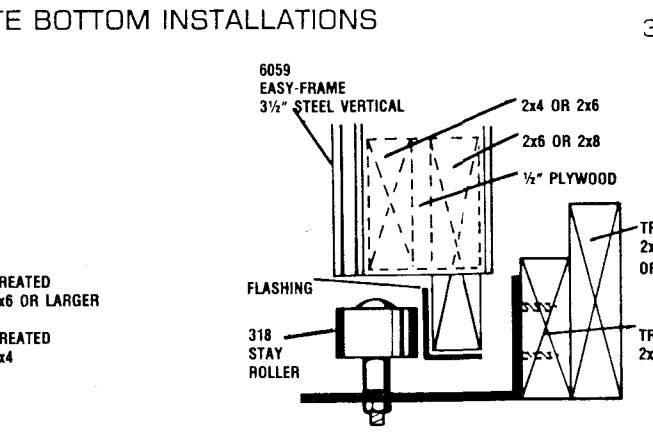
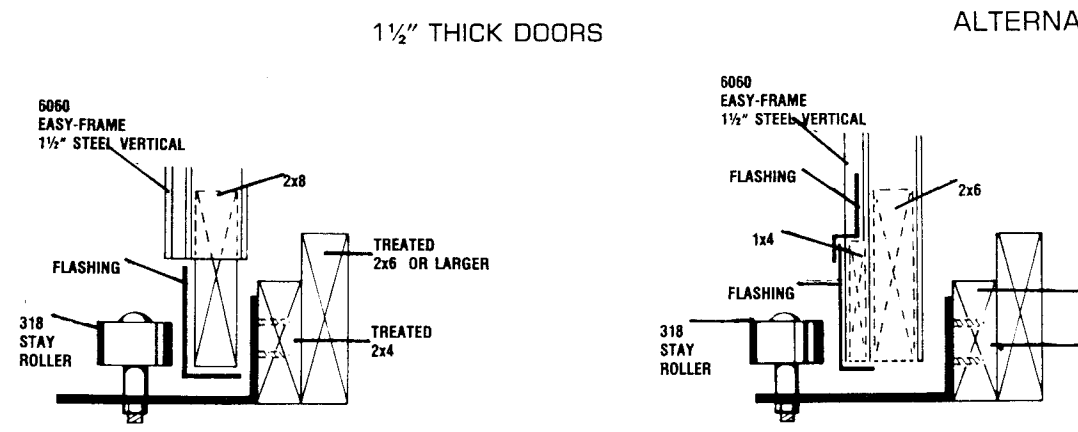
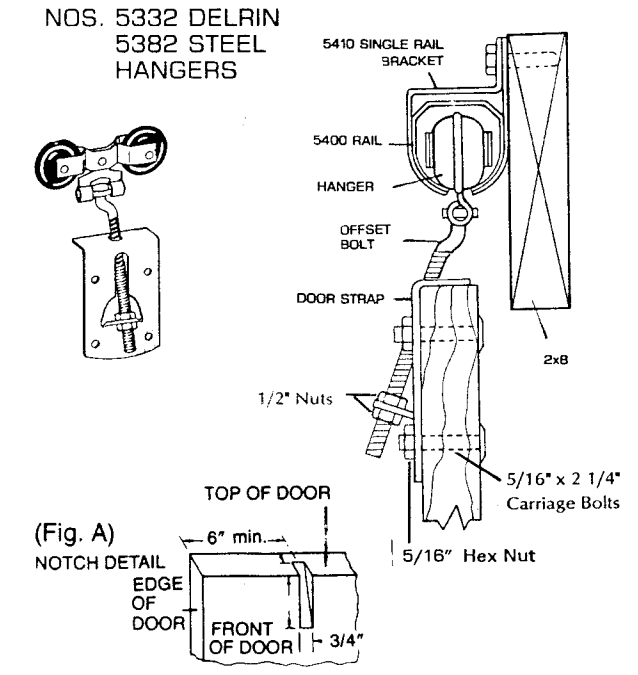
DOOR STRAP INSTALLATIONS



- HANGER INSTALLATION**
1. Locate hangers to distribute load evenly, minimum 3" from edge of door. (Important - use only two hangers per door; however, if door panels are 16' or wider, three hangers can be used).
  2. Drill 9/16" hole through 2" x 6" top frame to accommodate bolt.
  3. Drop bolt through hole and assemble washer and one nut. Thread nut up on bolt until top of door is approximately 3/4" from bottom of the offset in the bolt.
  4. Install door and make final vertical adjustment by raising and lowering nut. Assemble and tighten lock nut.
  5. To make lateral adjustment, grip the flat sides of trolley drop bolt with a wrench and turn to obtain desired clearance. Then drive nails (not furnished) through holes provided in flat washers. This locks hanger securely in position.
  6. Install end caps inside end of rail with bolt furnished.



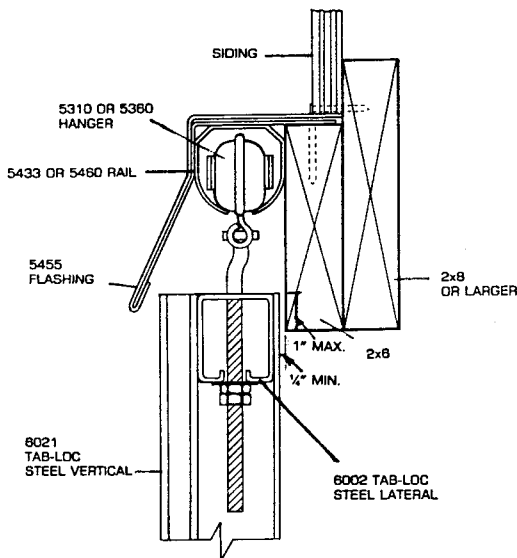
- HANGER INSTALLATION**
1. All Hangers. Locate hangers to distribute load evenly, minimum 3" from edge of door. **IMPORTANT** - use only two hangers per door; however, if door panels are 16' or wider, three hangers can be used.
  2. Hangers Nos. 5332, 5382 Only. Notch front of door for both hangers as shown in drawing (Fig. A).
  3. All Hangers. Assemble hangers as shown and place them on door with top of hangers flush against top of door. (Use hanger as a template and drill holes for carriage bolts).
  4. All Hangers except Nos. 5332 and 5382. Using door strap as a template, mark and drill a hole in the top of door for connector bolt to allow full adjustment of hanger.
  5. All Hangers. Mount hangers on door inserting bolts as shown. Hanger door straps are mounted on outside of door and bolt heads must be on inside of door.
  6. Adjustments. Loosen lock nut. Vertical adjustments are made by raising or lowering vertical adjustment nut. Lateral adjustments are made by turning the flattened drop bolt on the 5332 or 5382. When adjustments are complete, tighten lock nut securely against the door strap projection while holding the drop bolt with a wrench. On all others, lateral adjustments are made with slot in door strap and vertical adjustments are made by turning flattened bolt with a wrench.
  7. Install end caps inside end of rail with bolt furnished.



**TYPICAL TAB-LOC STEEL DOOR FRAME INSTALLATION**



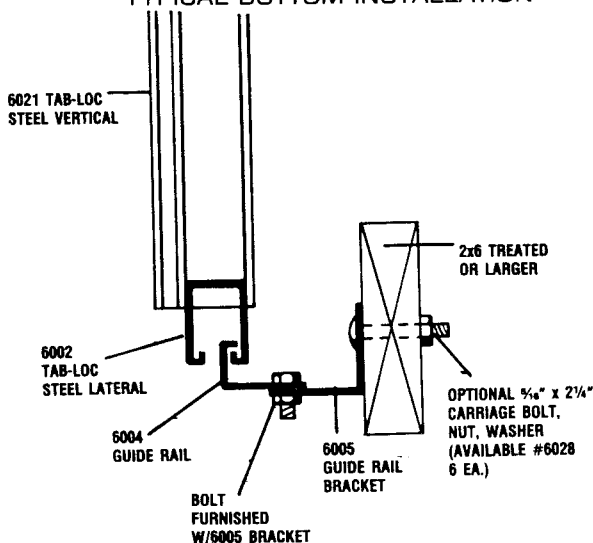
NOS.  
 ◀ 5310 DELRIN  
 5360 STEEL ▶  
 HANGERS



**HANGER INSTALLATION**

1. Insert trolley drop bolt through outer prepunched 9/16" hole in top lateral member. (Important - use only two hangers per door; however, if door panels are 16' or wider, three hangers can be used.)
2. Assemble star washer, flange nut and locknut.
3. Hang door - make vertical adjustment with flange nut and tighten locknut.
4. To adjust door in and out, use wrench to turn flatsided drop bolt to obtain desired clearance.
5. To secure system, bend opposite tabs of star washer into slot opening of top lateral.
6. Install end cap inside end of rail with bolt furnished.

**TYPICAL BOTTOM INSTALLATION**



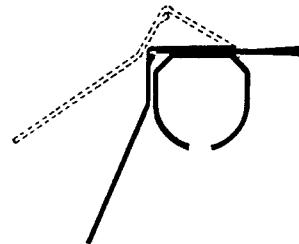
**No. 5430 Face Mount Rail**

Welded-on face-mount brackets (2 foot O.C.). For doors weighing up to 600 lbs. per panel. Fourteen gauge galvanized steel. Welded-on mounting brackets for fast, easy installation. If flashing is required, use our Snap-On Flashing Brackets #5436 or 5437. For 1 1/2" doors use our flashing #5450 in 8' to 20' lengths.



**No. 5436/5437 Snap-On Flashing Brackets**

#5436 for 1 1/2" doors, #5437 for 3 1/2" doors, for use with 5430/5433 rails.



**No. 5433 Top Mount Rail**

Welded-on top-mount brackets (2 foot O.C.). For doors weighing up to 600 lbs. per panel. Fourteen gauge galvanized steel. Welded-on mounting brackets for fast, easy installation. Just nail the rail to track board. If flashing is required, use our Snap-On Flashing Brackets #5436, 5437. For 1 1/2" doors use our flashing #5455 in 8' to 20' lengths.



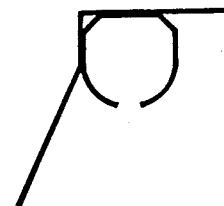
**No. 5400 Rail**

Separate face-mount brackets for doors weighing up to 600 lbs. per panel. Fourteen gauge galvanized steel bundled without fasteners or brackets. For use with various types of single & multiple brackets. In 8' to 24' lengths.



**No. 5460 Top Mount Rail with Attached Flashing Brackets**

Welded-on top-mount brackets (2 foot O.C.). For doors weighing up to 600 lbs. per panel. Fourteen gauge galvanized steel. Mounting/flashing brackets welded to the rail on two foot centers. No. 5455 flashing fits easily over rail and bracket in 8' and 20' lengths.



**No. 5408 Rail End Cap**

(No lag bolts.) Packed with bolt, nut, and washer.



**No. 5405 Splice Collar**

Unique design supports the end of two rails while not interfering with flat mounting surfaces of rail. No fasteners required. Simply slide onto rail while installing. Use with #5430, 5433, and 5460 rails.

