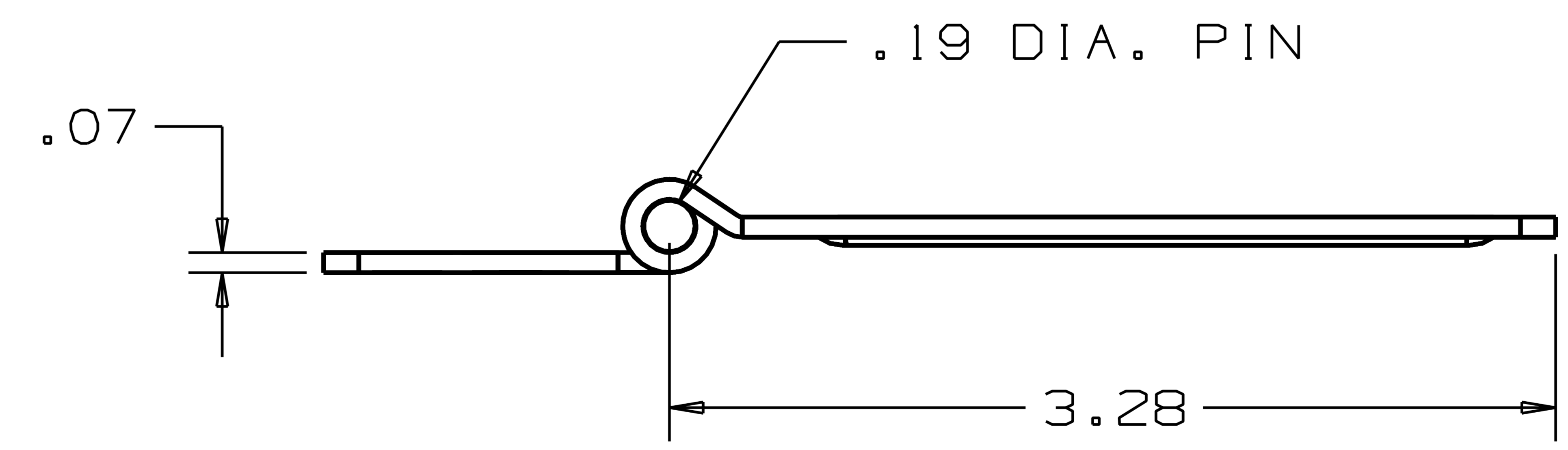
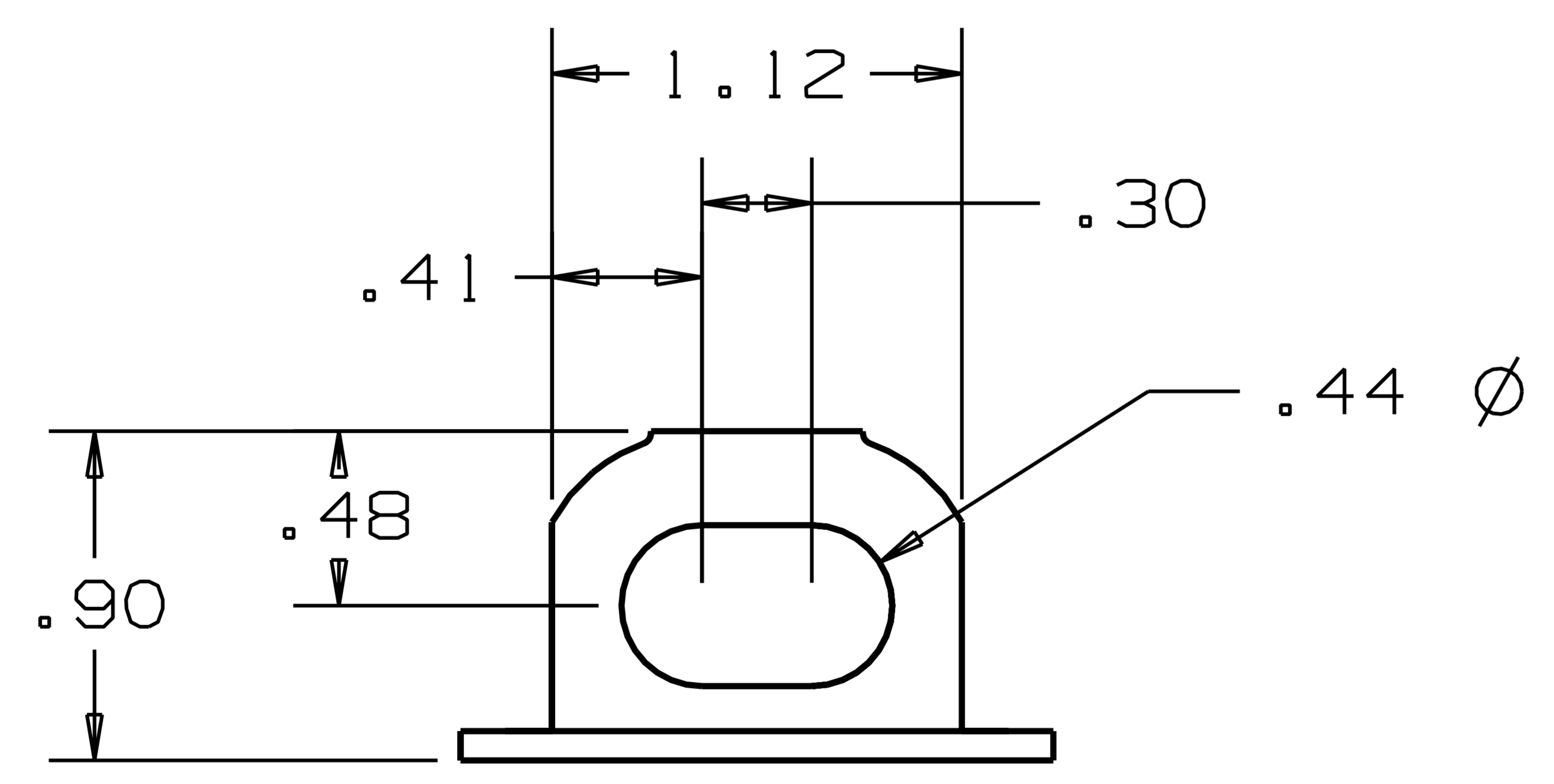
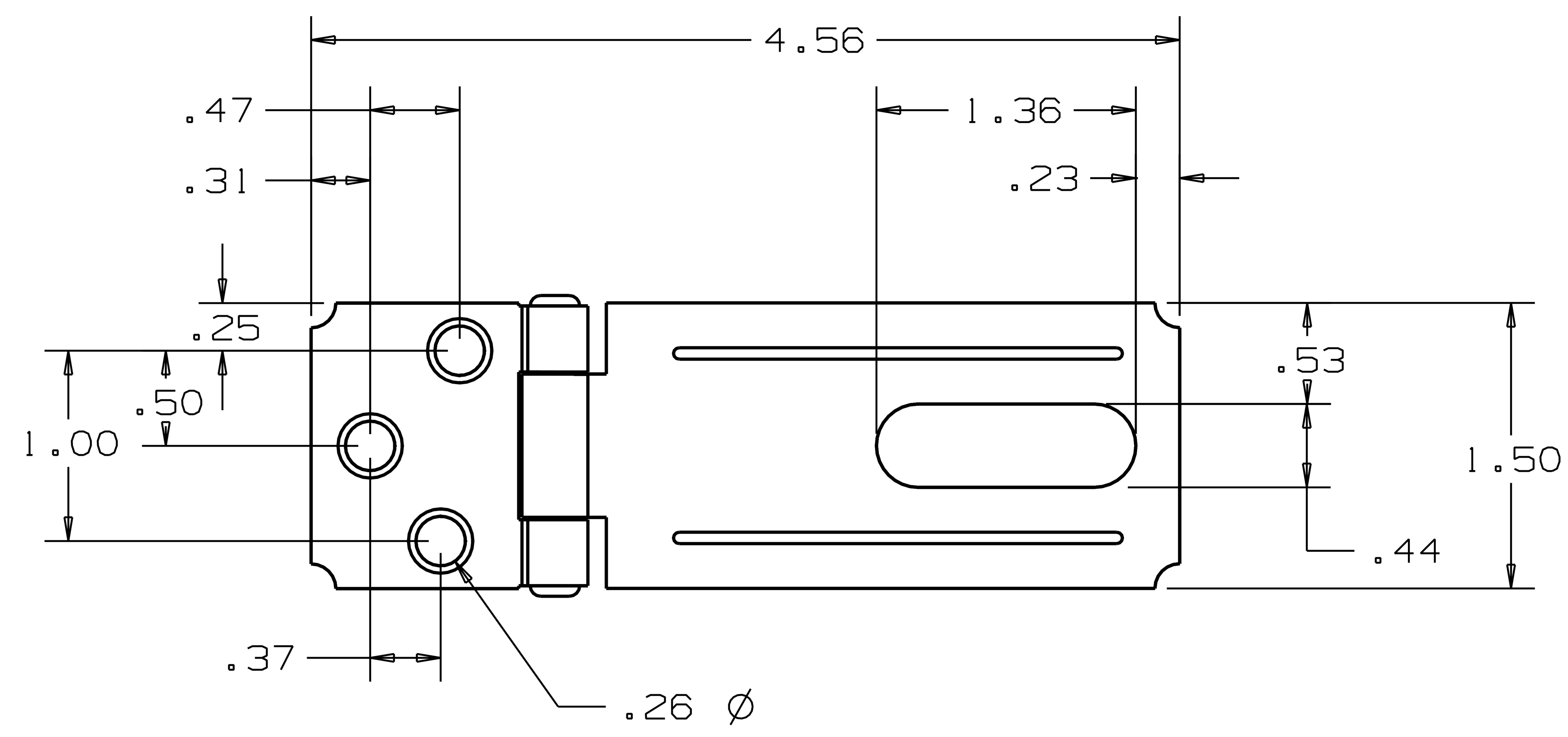
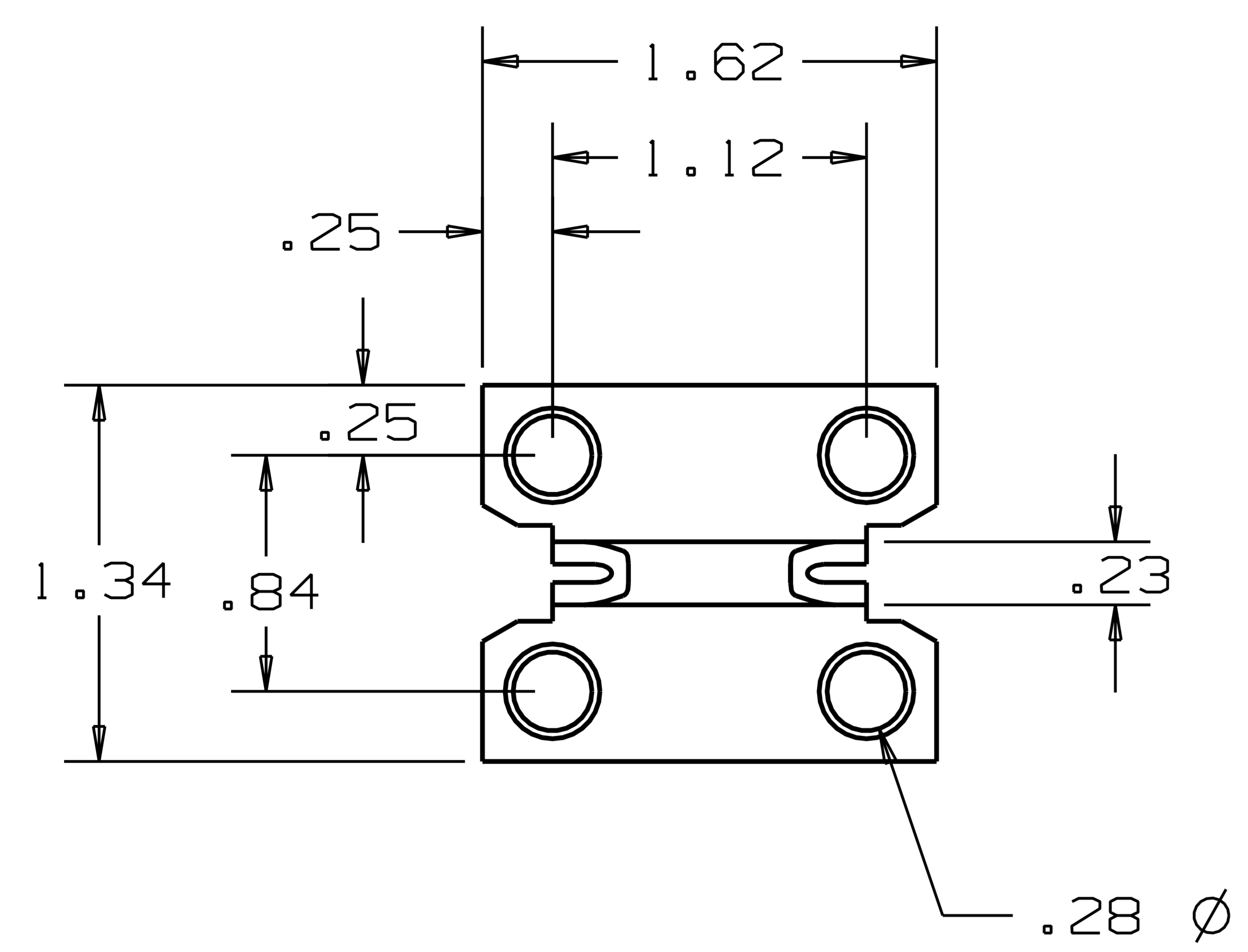


S915/N30



TextDimensions shown are nominal and subject to change. For critical design specification, contact [techinfo@natman.com](mailto:techinfo@natman.com)  
©2009 National Manufacturing Co.