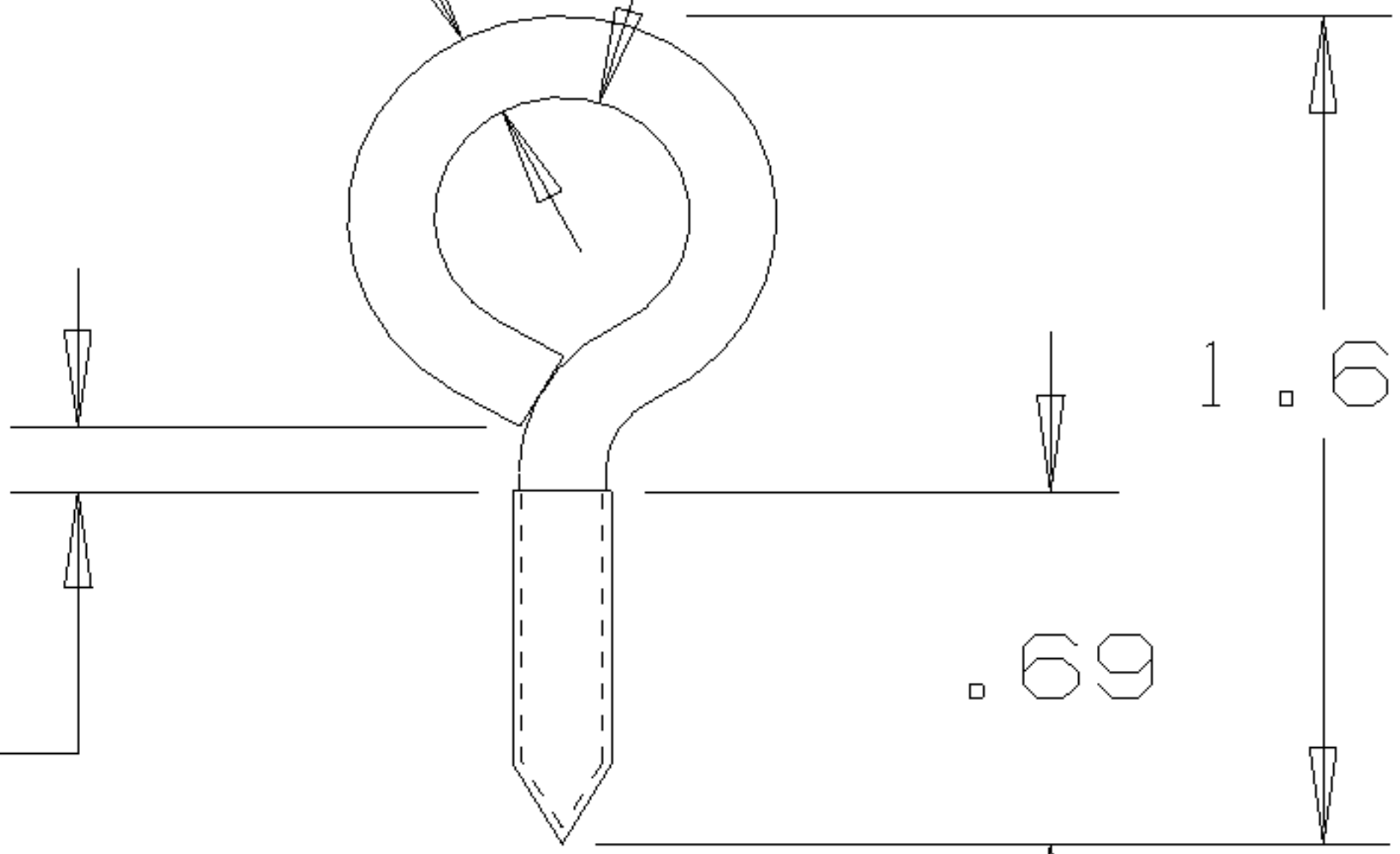


.16 DIA

.47 DIA



1.62

.69

.13

Dimensions shown are nominal and subject to change. For critical design specification, contact techinfo@natman.com
©2000 National Manufacturing Co.