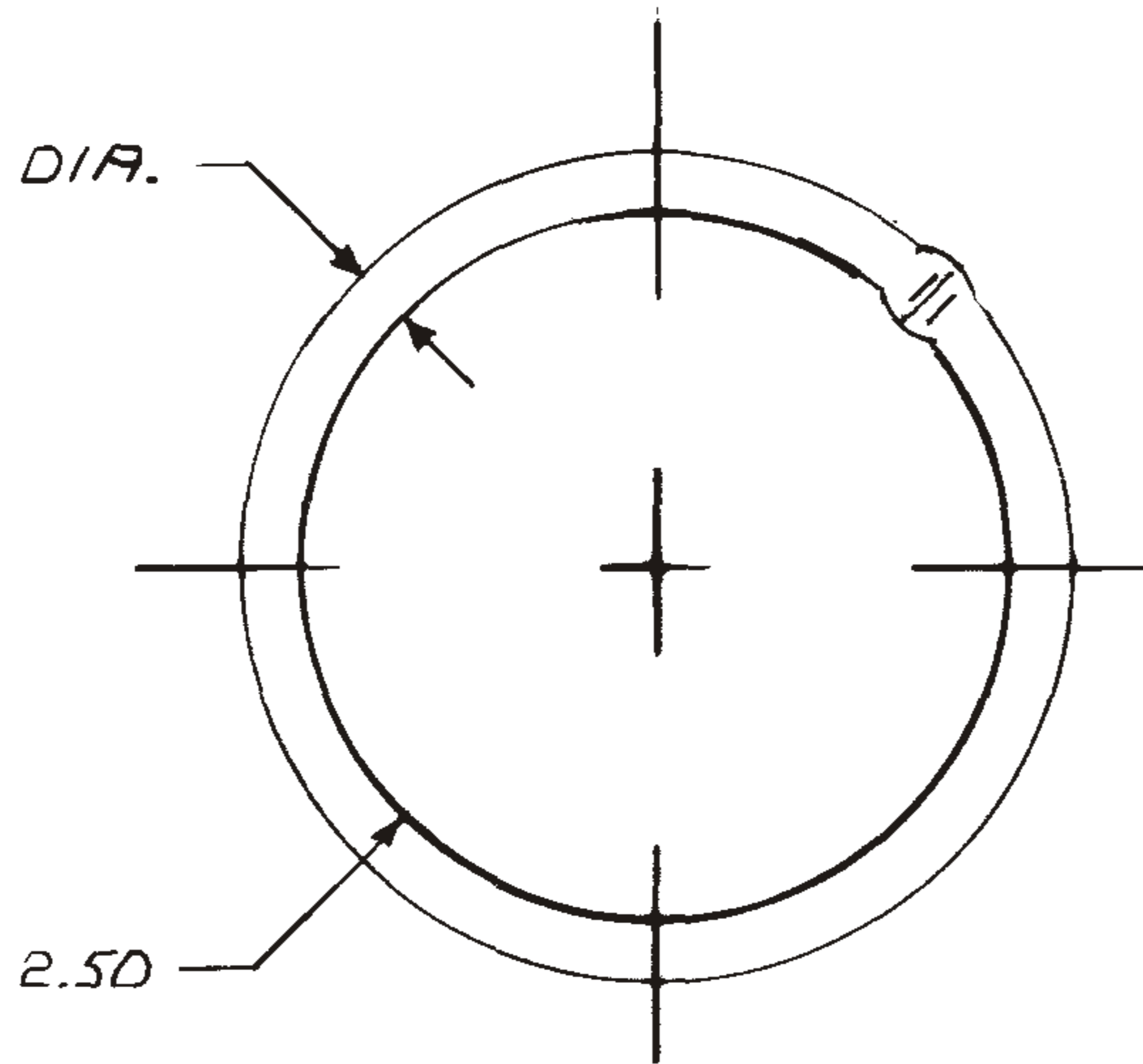


.262 WIRE DIA.



2.50