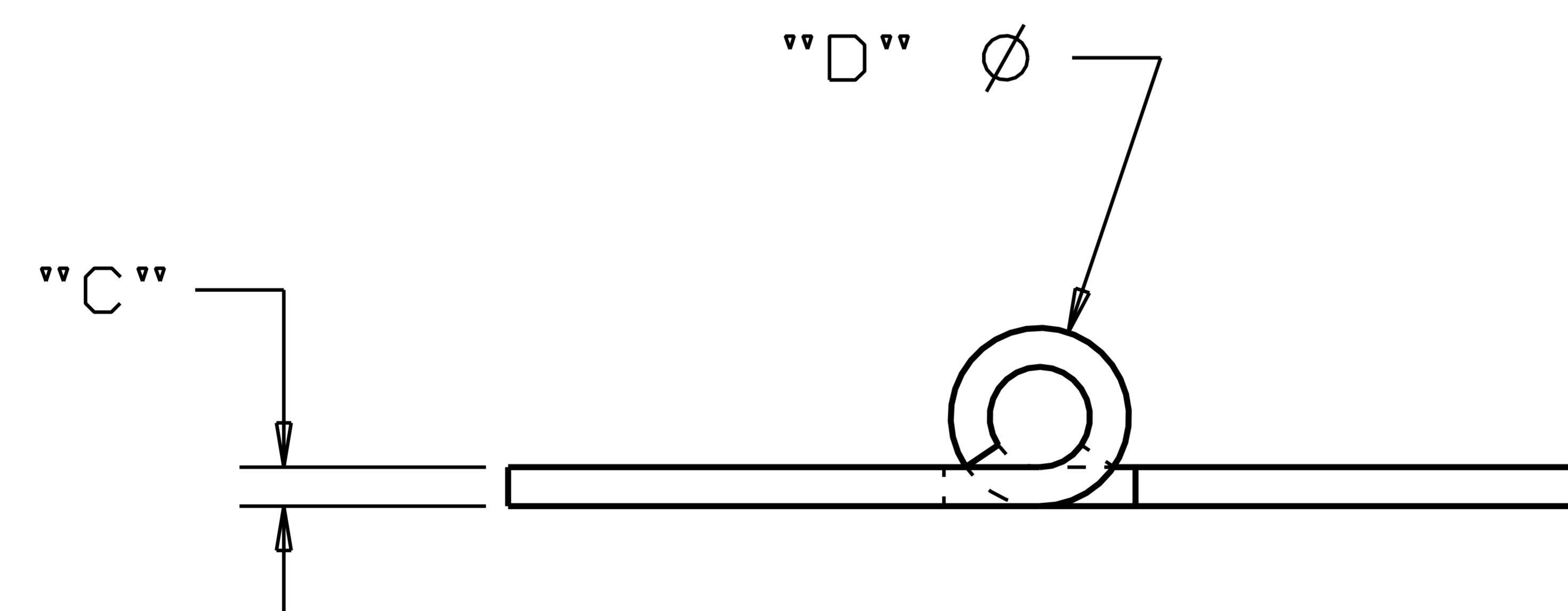


5 IN.	5.0	5.0	.16	.64
4.5 IN.	4.5	4.5	.15	.59
4 IN.	4.0	4.0	.14	.55
3.5 IN.	3.5	3.5	.12	.51
3 IN.	3.0	3.0	.11	.50
2.5 IN.	2.5	2.5	.11	.45
2 IN.	2.0	2.0	.10	.40
HINGE SIZE	A	B	C	D



TextDimensions shown are nominal and subject to change. For critical design specification, contact techinfo@natman.com
©2007 National Manufacturing Co.