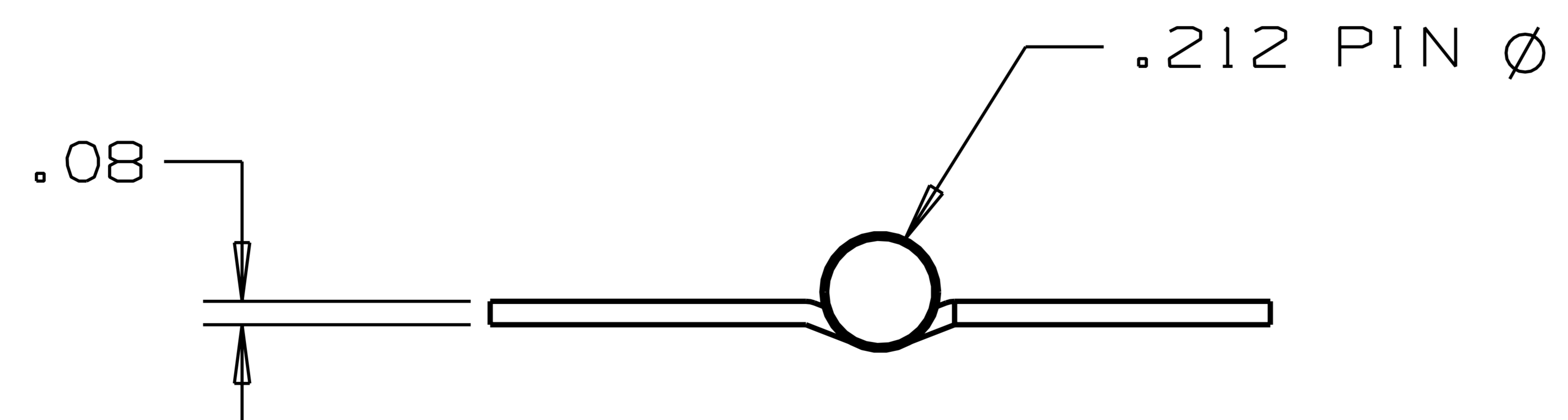
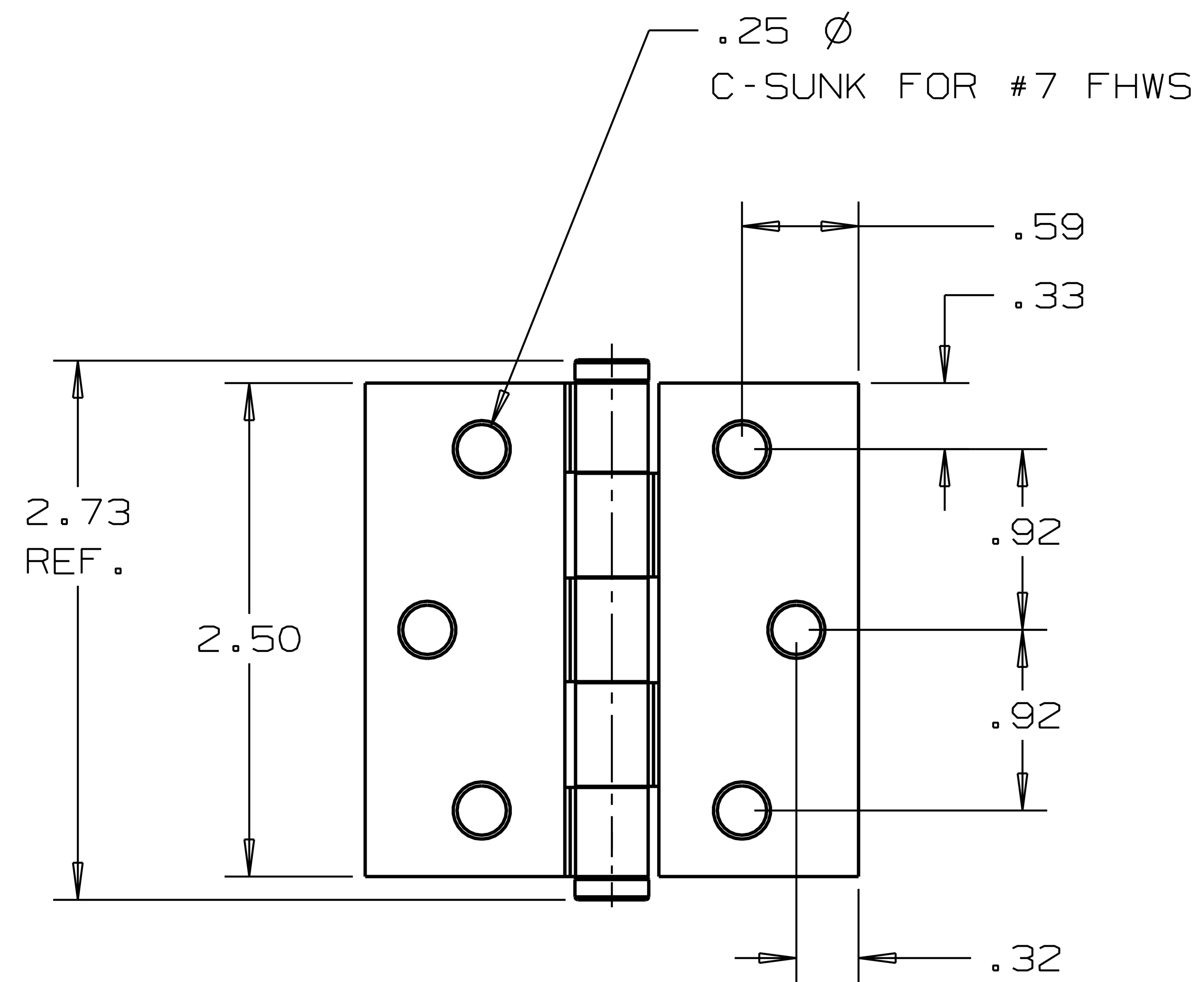


N514.2H



Dimensions shown are nominal and subject to change. For critical design specification, contact techinfo@natman.com
©2010 National Manufacturing Co.