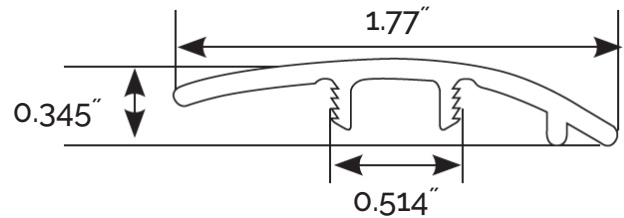


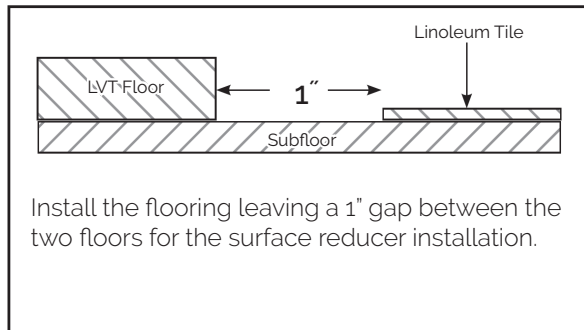
## SURFACE REDUCER

Surface reducers are used to fill the gap between floors of unequal heights.

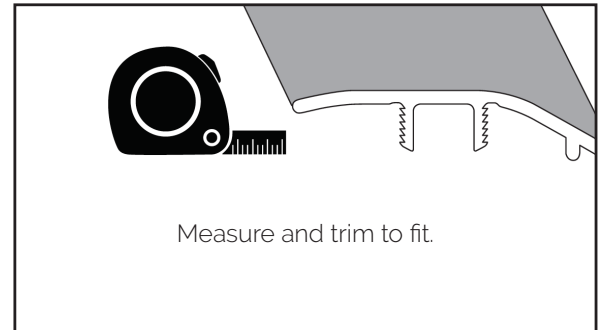


### Installation

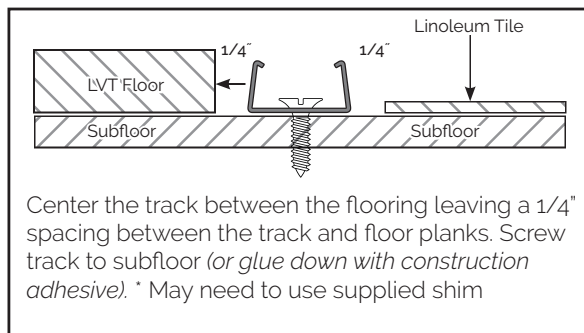
1.



2.



3.



4.

