



## CANON INDUSTRIAL MACHINE VISION CAMERAS

The Canon ML-100 series of Machine Vision cameras feature an updated 19um CMOS sensor, capable of capturing color low light images in excess of 4,500,000 ISO. It has an industrial design with multiple mounting points, available with either M58 or EF lens mounts. Users can choose from an industrial CoaXPress or user-friendly SDI output.

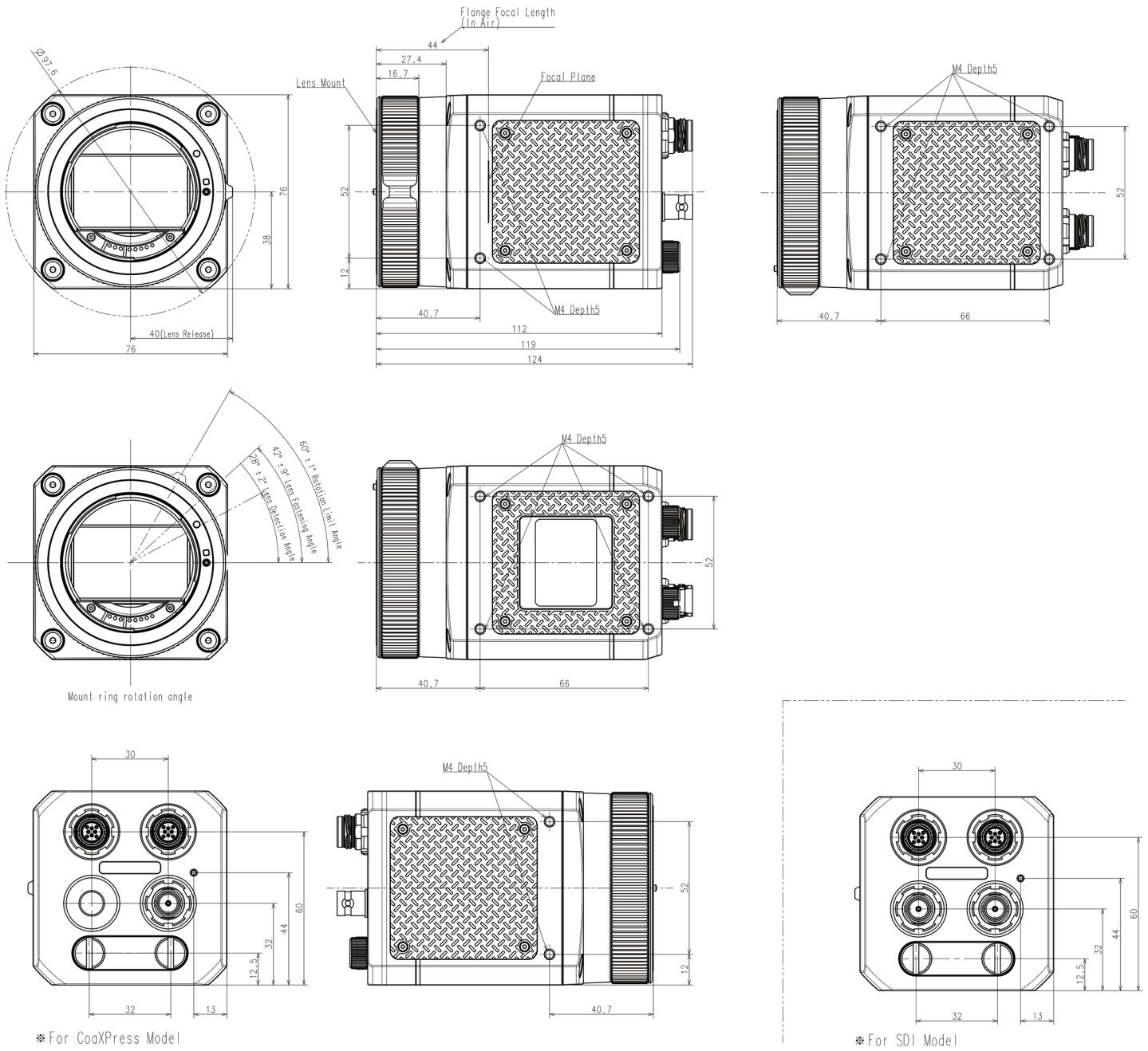
## SPECIFICATIONS

	ML-100	ML-105
<b>Image Sensor</b>		
Sensor	35mm Full Frame CMOS Rolling Shutter	
Pixel Size	19µm x 19µm	
Color Filter Array	Bayer RGB	
Full Well Charge	61,000 e @ gain x 1	
Dark Random Noise	2.2 e rms @ gain x 16, room temperature	
Total Pixels	3.02M	
Effective Pixels	Approx 2.73M	Approx. 2.07M
Maximum Resolution	2152 x 1270	1920 x 1080
Active Image Size	40.9mm x 24.2mm	36.5 x 20.5 mm
Minimal Subject Illumination	.0005 lux or less (at 75dB, f/1.2, 30P, 50 IRE)	
Maximum ISO	4,560,000 (75 dB)	
Image Processing	N/A	DIGIC DV4
Filter	Low Pass	
<b>Image Control</b>		
Focus Control	(EF) Motor-Driven Control / (M58) Manual or External Only	
Resolution/Frame Rate	2152 x 1272 (full view) Up to 97 fps 8-bit to 54 fps 16-bit 1920 x 1080 (center-cropped Region of Interest) Up to 114 fps 8-bit to 72 fps 16-bit 1280 x 720 (center-cropped Region of Interest) Up to 164 fps 8-bit to 162 fps 16-bit	1920 x 1080 resolution: 59.94 (P/i), 50.00 (P/i), 29.97P, 25.00P, 23.98P 1280 x 720 resolution: 59.94P, 50.00P, 29.97P, 25.00P, 23.98P
Shutter Speed	30 µs to 9999990 µs	1/2000 s to 1/3 s
<b>Lens Compatibility*</b>		
Lens Mount Options	EF/M58	
<b>Terminals</b>		
Output Format	CoaXPress, ODU (756.271.081.208.120 – Brown Key) Output format: Bayer RAW output, selectable 8/10/12/16-bit Transfer speed: CXP-3 (3.125 Gbps), CXP-2 (2.5 Gbps), CXP-1 (1.25 Gbps)	3G/HD-SDI (YCbCr422, 8-bit)
Camera Control	CoaxPress via GeniCam Protocol	Genlock, RC-V100, NU Protocol, OK-R Protocol
<b>Power</b>		
Power Terminals	CoaXPress, ODU (756.271.081.208.220 – RED Key)	ODU (756.271.081.208.220 – RED Key)
External Power Input (ODU)	10VDC - 29VDC	
Power Consumption (Body Only)	8-9.2 W	10.2 W
<b>Other</b>		
Operating Temperature	-4°F to 122° F (-20° C to 50° C)	
Cooling	Passive Cooling	
Dimensions	(EF) 3.0 x 3.0 x 4.4in (76 x 76 x 112 mm) / (M58) 3.0 x 3.0 x 3.3 in. (76 x 76 x 83 mm)	
Weight	(EF) 1.7 lb (785 g) / (M58) 1.2 lb (550 g)	(EF) 1.8 lb (800 g) / (M58) 1.2 lb (565 g)
Included in Box	ML Camera, Body Cap, Warranty Card	
Part Number/Item Code	ML-100 EF: 5359C001, ML-100 M58: 4842C001, ML-105 EF: 4843C001, ML-105 M58: 5360C001	

\*Confirmed Supported Lenses - EF50mm F1.2L USM, EF85mm F1.2 II USM, EF300mm F2.8L IS II USM, EF400mm F2.8L IS III USM, EF500mm F4L IS II USM, EF600mm F4L IS III USM, EF800mm F5.6L IS USM, EF24-105mm F4L IS II USM, EF70-200mm F2.8L IS III USM, EF28-300mm F3.5-5.6L IS USM, EF200-400mm F4L IS USM Extender 1.4x, EF100-400mm F4.5-5.6L IS USM, CN-E70-200mm T4.4 L IS KAS S (Compact-Servo)

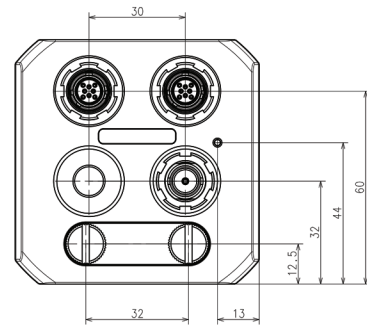
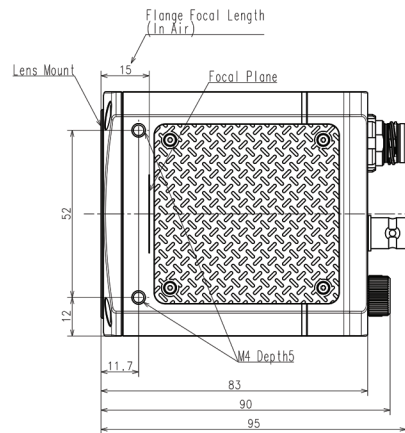
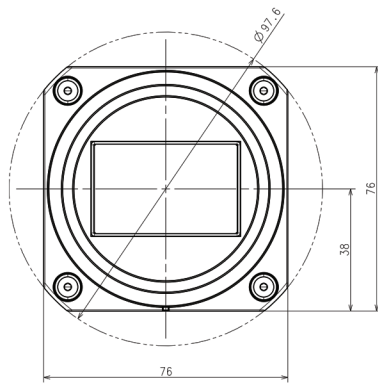
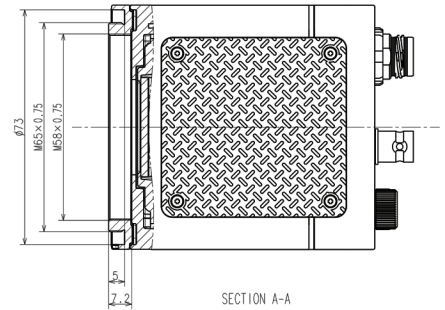
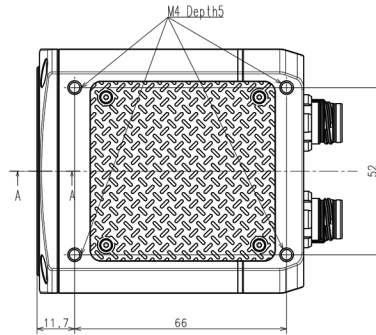
## DIMENSIONS (IN MM)

ML-100 EF  
ML-105 EF

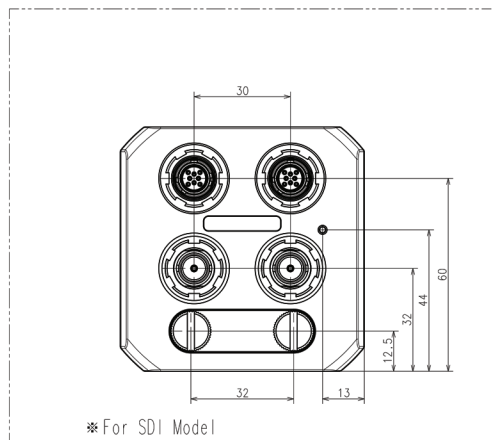
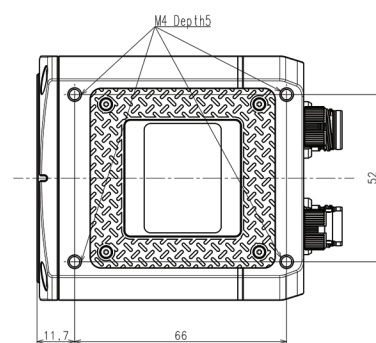
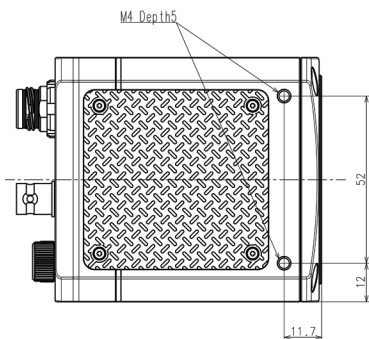


## DIMENSIONS (IN MM)

ML-100 M58  
ML-105 M58



\* For CoaXPress Model



Specifications and availability subject to change without notice. Products not shown to scale. Weight and dimensions are approximate. Not responsible for typographical errors. © 2020 Canon U.S.A., Inc. All rights reserved. Canon is registered trademarks of Canon Inc. in the United States and may also be registered trademarks or trademarks in other countries. All other product names, brand names and logos are trademarks or service marks of their respective owners.

Canon makes no representations or warranties with respect to any third party accessory or product mentioned herein.

Use of genuine Canon accessories is recommended; these products are designed to perform optimally when used with genuine Canon accessories.

Canon U.S.A., Inc.  
One Canon Park  
Melville, NY 11747 U.S.A.

 @CanonUSApro

11/20 PRINTED IN U.S.A.