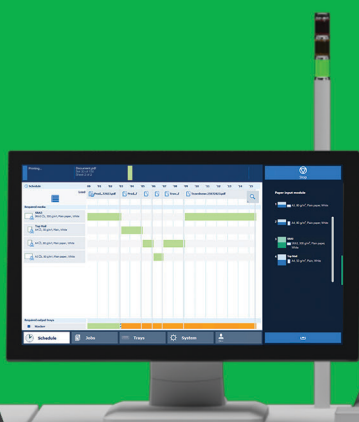


**Canon**

**varioPRINT  
6000 series TITAN**

**MONOCHROME  
PRODUCTION  
DIGITAL PRESSES**



**Second to None.**

# varioPRINT 6000 series TITAN

## Introducing the varioPRINT 6000 series TITAN. Second to None.



**Canon**

**PRODUCTION SPEED UP TO**  
**320 ipm**  
(Letter)

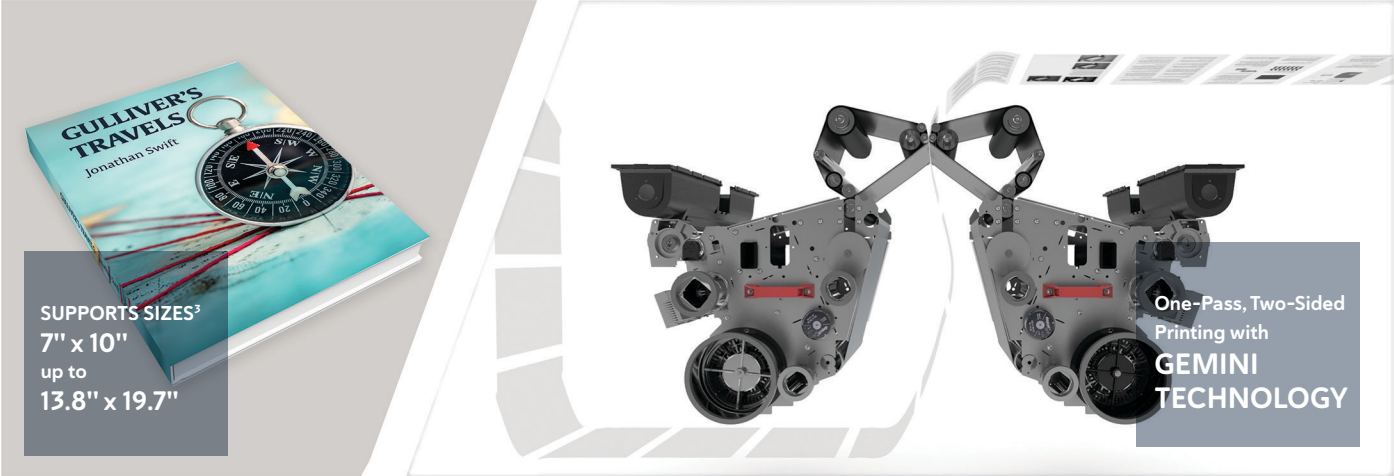
**MAXIMUM SHEET FEEDING CAPACITY**  
**24,000<sup>1</sup>**

**OPTIMUM PRINT VOLUME<sup>2</sup>**  
**1M to 10M**

**Near-Perfect Front-to-Back Registration**

**Low Ozone Printing**

**VIRTUALLY NO TONER WASTE**



**SUPPORTS SIZES<sup>3</sup>**  
**7" x 10"**  
up to  
**13.8" x 19.7"**

**One-Pass, Two-Sided Printing with GEMINI TECHNOLOGY**

<sup>1</sup> Capacity based on 20 lb. Bond.

<sup>2</sup> Volume based on letter, simplex impressions per month.

<sup>3</sup> Optional accessories required.

# First Choice For Your Business

Black-and-white production continues to be a large, stable, and cost-effective segment of the digital, sheetfed printing market and offers continued opportunities for growth. It's also highly competitive, with tight deadlines, intense pressure to control costs, and many customers demanding an expanding range of applications.

Now you can quickly differentiate your business and capture new opportunities with detailed, stunning output and less impact on the environment. The varioPRINT 6000 series TITAN is a powerful, high-speed, high-quality, monochrome digital perfecting press that's second to none.

Give your business a competitive edge by optimizing reliability and productivity while bringing flexibility to your business. Designed to deliver outstanding throughput, quality, and sustainability for a wide range of high-volume production environments, there's a varioPRINT 6000 series TITAN model that's the right fit for your business.



**One-Pass,  
Duplex Printing**



**Superb Registration**



**Screenpoint  
Technology**



**Low Emissions**



varioPRINT 6330 TITAN shown with optional accessories.

# The Tools You Need To Grow Your Business

The varioPRINT 6000 series TITAN represents Canon's continued investment in, and understanding of, monochrome production digital printing.

## The Power to Do More

### APPLICATION QUALITY AND VERSATILITY

The varioPRINT 6000 series TITAN consistently turns out prints that truly rival professional offset quality, impress customers, and help open up business opportunities in profitable new markets—without the need to purchase, operate, and maintain multiple systems.

**SuperCell Technology** is an intelligent, half-toning algorithm that delivers razor-sharp text and nuanced images with outstanding resolution.

The optional **Document Finishing Device (DFD)** Interface on the High-Capacity Stacker allows for workflow automation through integration with a range of third-party finishing options. It also helps add value with professionally finished, perfect-bound books; saddle-stitched booklets; or square-spined booklets.

The **Light Weight Media Kit** (option) makes it possible to reliably print on stocks as light as 12 lb. Bond/30 lb. Text (45 gsm), ideal for book printing, packaging inserts, manuals, and more.

**PIM Flex-A1** (option) can hold media as large as 13.8" x 19.7" to accommodate 13" x 19" house stocks or color inserts as well as enable reliable, four-up, on-demand book printing.

### INTEGRAL PRODUCTIVITY

Doing more in less time is engineered into the very core of the varioPRINT 6000 series TITAN—the fastest monochrome production press in its segment.

Based on the market-proven Gemini Technology, the series prints both sides of a sheet in a single pass with near-perfect front-to-back registration—making it both ultra-quick and ultra-reliable!

PRISMAsync Print Server helps streamline production and facilitate communication. Its intuitive interface makes printing operations more seamless and consistent while minimizing errors, turnaround time, and waste.



## Productivity, Reliability, and Quality—no need to choose



### CopyPress Technology

Presses and fuses toner into the paper with virtually no toner waste or the use of developer for matte, offset-like output. Low fusing temperatures help prevent paper curling and reduce the chance of toner cracking.



### Screenpoint Technology

Automatically converts color images into grayscale images with excellent resolution, dense black fills, and precise fine lines, creating detailed light and dark depth. Operators can adjust contrast and control the level of darkness and lightness manually, without sacrificing details.



### Gemini Technology

A short, no-flip, no-stop paper path virtually eliminates paper jams for optimum uptime, higher throughput, and reliable efficiency every time.

# Sustainability Through Technology.

The varioPRINT 6000 series TITAN is designed with a strong environmental focus, with energy conservation, resource conservation, and pollution minimization in mind.

## A Solid, Environmentally Conscious Design



### SUSTAINABILITY AND STEWARDSHIP

At Canon, sustainability is designed into every product. The components and materials are built to last and made to handle heavy workloads which ultimately help create better working environments.



### LOW EMISSIONS

CopyPress Technology provides energy efficiency while helping keep ozone emission negligible. And with no solvents in its toner, there's no need for high-tech air filters or specially ventilated work areas.



### RoHS COMPLIANT

varioPRINT 6000 series TITAN components are RoHS-compliant. Up to 95% can be reused or recycled at the end of their useful lives.



### LESS WASTE

A sophisticated toner recapture system does away with waste toner, and, subsequently, the need for a toner waste container. Monocomponent toner also eliminates having to dispose of developer. Reliable media handling and Paper Logic help reduce waste by maximizing first-time-right prints.



### LOW ENERGY CONSUMPTION

Registering one of the lowest energy consumption levels in its class, its low heat emissions can also help decrease cooling and air conditioning demands.



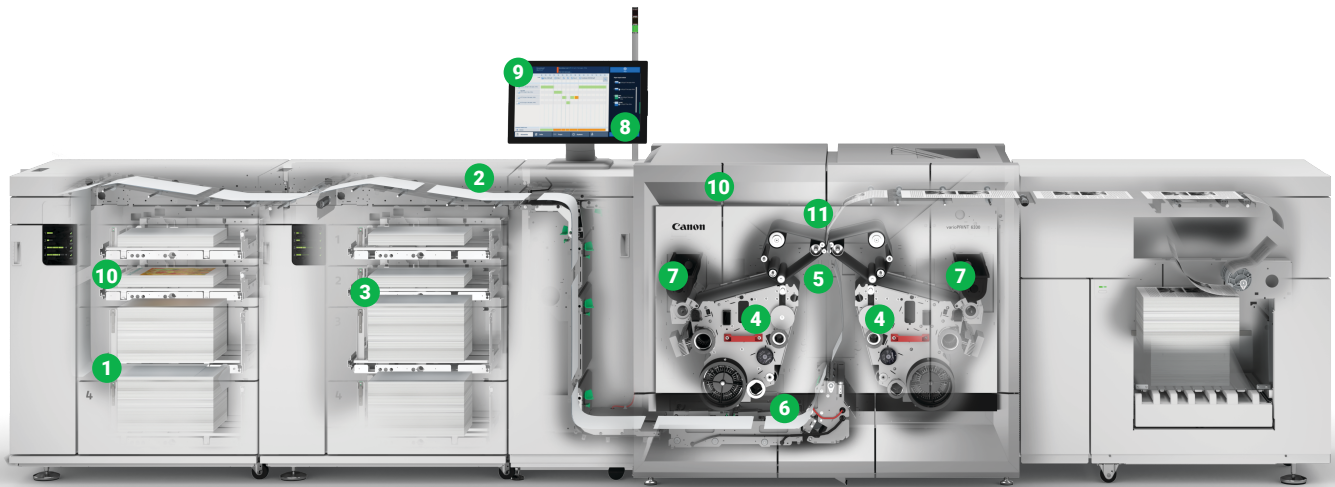
### Speed Pass Program<sup>4</sup>

The Speed Pass Program empowers you to temporarily upgrade the system's speed. This allows you to handle peak workloads without a significant, long-term investment in new equipment, which helps reduce paying for overtime or outsourcing. Permanent speed upgrades are available to help you align your production speed to your business growth or maintain productivity when right-sizing your fleet.

<sup>4</sup> Optional.



# A Robust, Stable, and High-Quality Digital Press



varioPRINT 6330 TITAN shown with optional accessories.

## 1 VACUUM FEEDING AND AIR SEPARATION

Helps provide reliable feeding from all trays on all media, which aids in reducing potential misfeeds when printing.

## 2 ULTRASONIC MULTISHEET DETECTION

Automatically detects multiple sheet feeding, sending them to the top escape tray without halting production to help prevent jams and errors, and reduce downtime.

## 3 PAPER LOGIC TECHNOLOGY

Takes the guesswork and errors out of paper loading. Simply load paper in the orientation in which it's intended to be read.

## 4 GEMINI TECHNOLOGY

Images both sides of a page at the same time, helping to deliver tight registration, faster throughput, less waste, and low operating costs.

## 5 COPYPRESS TECHNOLOGY

Presses toner into the substrate, providing a matte, offset-like look and feel to text and images.

## 6 ACTIVE REGISTRATION

Sophisticated sensors help ensure precise sheet positioning for simultaneous duplexing.

## 7 MONOCOMPONENT TONER

Oil- and developer-free imaging helps ensure excellent image quality in a clean environment, without the need for costly ventilation systems or special filters.

## 8 SCREENPOINT AND SUPERCCELL TECHNOLOGIES

Optimize each individual page based on the type of content being printed, delivering razor-sharp details (up to 180 lpi), nuanced images, and smooth gradations.

## 9 PRISMAsync PRINT SERVER

Intuitive, graphical user interface shows production schedules at a glance, predicts run times, and indicates when consumables will need replacement.

## 10 INSERT FROM ANY TRAY

Inserted pages bypass the imaging engine using a cold paper path for accurate, automatic interposing. Inserting sheets from any tray of the Paper Input Modules helps optimize tray usage while reducing the overall footprint of the press.

## 11 LIGHT WEIGHT MEDIA KIT

Optional Light Weight Media Kit supports stock as light as 12 lb. Bond/30 lb. Text for expanded application support.

# Put the Finishing Touches on Each Job

Optimal productivity means fewer touches from start to finish. The vigorous feeding and finishing options available with the varioPRINT 6000 series TITAN provide the reliability you need for longer, unattended printing and white-paper-in, professionally finished-product-out productivity.

## Feeding Options



### PAPER INPUT MODULES

Equipped with vacuum feeding and air separation in all trays for reliable paper feeding. Up to 3 PIMs or PIM Flex can be attached for maximum capacity of 13,800 sheets.<sup>5</sup>

**PIM (Paper Input Module)** supports sheet sizes from 8" x 8" up to 12.6" x 19.2". The Duo Tray option can increase maximum capacity for Letter-sized media to 24,000 sheets.<sup>6</sup>

**PIM FLEX** supports sheet sizes from 8" x 8" up to 13.8" x 19.7".



### TECNAU SHEET FEEDER

Up to 60,000-sheet<sup>6</sup> feeding from one roll helps to increase throughput and reduce downtime and operator involvement. Ideal for high-volume environments with minimal paper variety.

## Finishing Options



### HIGH-CAPACITY STACKING

Holds up to 6,000 sheets in sizes from 8" x 8" to 13.8" x 19.7" and its unload-while-print capability provides virtually unlimited stacking capacity. Up to 18,000-sheet<sup>6</sup> stacking with maximum stacker configuration for longer, unattended printing.



### SET FINISHER FOR STAPLE FINISHING

Option for High-Capacity Stacker that provides stapling for sets of up to 100 sheets.<sup>5</sup>



### PROFESSIONAL BOOKLET-MAKERS

Deliver professional-looking, lie-flat booklets with the speed and simplicity of in-line saddle-stitching as well as inline trimming and rotating for increased productivity.<sup>7</sup>

**SDD BLM6200 Booklet Maker** for up to 100-page booklets. Module design lets you add rotator, trimmer, and square-fold options based on your needs.

**Plockmatic BLM550+ Booklet Maker** for stitched booklets of up to 208 pages. Rotator function built in for optimal productivity on small booklets. Professional book stacker and 2-Knife Trimmer options available for full-bleed finish.

**SDD BLM6300 Booklet Maker** provides optimal productivity with the varioPRINT 6330 TITAN/TPxp TITAN. Produces stitched booklets of up to 100 pages. Module design lets you add rotator, trimmer, and square-fold options based on your needs.



### VIDEK DOCUVISION™ EDGE

Performs full-page scan—reading bar codes, MICR lines, and logos—to help ensure the accuracy, accountability, and security of every job.

<sup>5</sup> Capacity based on 20 lb. Bond.

<sup>6</sup> Capacity based on Letter, 20 lb. Bond.

<sup>7</sup> Optional accessories required.



# Smart, Highly Versatile Workflow

## PRISMAsync Print Server

### EMPOWER YOUR TEAM

Canon's PRISMAsync Print Server can not only help boost production capacity, it can also help to lower costs. It delivers the high-performance, deadline-driven printing that can help you grow your business and drive future success.

### SMOOTH WORKFLOW INTEGRATION

PRISMAsync is powered by Adobe® PDF Print Engine with Mercury RIP architecture for parallel processing. It integrates with JDF and JMF tools to help streamline and accelerate processes, to help reduce costs, and to help you manage and control your operations. PRISMAsync DPLink and KDKLink options offer easy integration into Xerox® FreeFlow® MakeReady or Kodak® Smartboard environments.

### CLEAR COMMUNICATION

With a customized and intuitively named media catalog, locating and assigning paper stocks can be an easy process. When jobs are submitted, operators can quickly view the desired stocks and know which media is required and the quantity for each production job.

### PREDICTABLE PRODUCTION CONTROL

Stay in control of your daily workload with up to eight hours of plan-ahead production with Job Scheduler. It will intuitively display time to job completion and upcoming interventions for media, toner, or staples.

### MANAGE AND MONITOR PRODUCTION REMOTELY

PRISMAremote Manager is a dynamic, web-based, multipress tool that's accessible via a workstation or mobile device on your network. With a contemporary look that aligns across the PRISMA workflow applications, operators can submit and edit jobs, manage queues, and even reroute jobs among multiple PRISMAsync-driven engines. For optimal productivity, operators can personalize their view via a scalable and dynamic user interface that allows apps to be dragged, dropped, and scaled to create a customized view with only the information they require.<sup>8</sup>

PRISMAremote Monitoring<sup>9</sup> takes this a step further, providing real-time notifications to compatible mobile devices of upcoming operator actions, such as loading media or adding consumables.

### IMPROVE PRODUCTION WITH FACT-BASED DATA

PRISMAlytics Dashboard<sup>9</sup> is a cloud-based tool that records press data and makes it easy to access and interpret. The dashboard displays usage-, production-, and consumption-related information. In an effort to help reduce costs and optimize productivity, the PRISMAlytics Dashboard can automatically collect production data and transform it into business-critical information.

<sup>8</sup> The remote workstation must be connected to the same network as the digital press. An HTML5-compatible web browser with JavaScript and WebSocket support is required.

<sup>9</sup> PRISMAremote Monitoring App requires Android or iPhone app. Data charges may apply. PRISMAremote Monitoring App and PRISMAlytics Dashboard require setup and data transfer outside of your network. They are tools available via PRISMA Home. Ask your Canon Authorized Dealer about getting set up as a tenant in PRISMA Home.

# Protect Your Devices, Data, and Output

Document-intensive environments need security tools to help meet compliance requirements and manage rapidly evolving security threats and customer expectations. PRISMAsync offers a range of features and options to help protect your device, data, and output.

## Print Securely

### INTEGRITY CHECKER<sup>10</sup>

PRISMAsync print servers can be equipped with Integrity Checker, which uses McAfee Embedded Control whitelisting tool to help control, continuously track, and validate applications that are run on PRISMAsync.

### E-SHREDDING<sup>10</sup>

Proper disposal of sensitive or confidential electronic data is imperative to help prevent inadvertent disclosure. Electronic data shredding (or e-shredding) can help prevent unwanted recovery of previously printed documents.

### ACCESS MANAGEMENT

PRISMAsync provides three methods to control user access to the print engine via the PRISMAsync print server. User authentication can be enabled via any of the following:

**LDAP Operator Login**, using the operator's domain credentials.

**Roles-based permissions**, managed locally via PRISMAsync Settings Editor.

**A configurable user interface** that allows administrators to manage which job settings are available to each operator on the press console and in Remote Manager, based on role definition.



<sup>10</sup> Optional license.

# Printing for Your Needs

## TRANSACTIONAL PRINTING

The varioPRINT 6000 TPxp TITAN is optimized for the accuracy and security demands of transactional and direct mail environments, including corporate data centers, direct mailers, service bureaus, and commercial printers. The combination of a wax-based toner and an additional fusing station enhances press output durability during post-print processing.

It's also optimized for versatility and ease of operation. As true convergence printers, the varioPRINT TPxp TITAN models can instantly switch from on-demand document production (PDF, PS, PCL 6) to transactional printing (IPDS or SRA PCL 6)<sup>11</sup> and support a wide variety of media. With the ability to load up to 24,000 sheets<sup>12</sup>—including inserts that automatically bypass the print engine—even complex jobs and finishing can be easily automated.

## MICR PRINTING

The varioPRINT 6000 MICR TITAN provides high-quality MICR output for highly sensitive, negotiable financial documents at speeds of up to 266 ipm (Letter). It can switch instantly from printing payroll, balance transfer, and refund and convenience checks to booklets, direct mail, manuals, statements, and other print products.

Security features, such as micro-font printing and accountability for submitted checks,<sup>13</sup> help ensure that information isn't lost and checks aren't double-printed. Printed output—using E-13B and CMC-7 MICR fonts—meets recognized standards such as ANSI X9AB and PIRA. The result is a read-rate of over 99% through high-speed readers and sorters.

<sup>11</sup> Not all PDLs are standard.

<sup>12</sup> Based on 20 lb. Bond with optional accessories.

<sup>13</sup> Only supported in AFP/IPDS workflows.

<sup>14</sup> Requires optional PIM Flex-A1.

## ON-DEMAND DIGITAL BOOK PRINTING

With the varioPRINT 6000 series TITAN monochrome digital presses, you can confidently tap into new on-demand opportunities, like auto-stock replenishment or personalized books. The output will have the features discerning customers are seeking, from offset-like print quality to near-perfect registration. And the press will have all the functionality and flexibility you're looking for, including a true end-to-end workflow.

Easily and efficiently handle short runs down to a run-length of one, and reduce inventory while still meeting the most demanding service-level agreements. Enjoy increased productivity with online finishing capability and efficient, four-up book printing on media up to 13.8" x 19.7".<sup>14</sup>



# Expand Your Opportunities

Open up new possibilities for customer satisfaction with Canon U.S.A., a business partner you can rely on for innovative printing solutions.

## Team Up with a Visionary Leader

The varioPRINT 6000 series TITAN can help transform your business, helping you increase your efficiency and flexibility. With 80-plus years of experience in designing and developing innovative imaging technology, Canon is constantly devising new solutions and refining its offerings to help your business maintain and increase its success. Together, we can help inspire your customers, improve your productivity, and enrich your operation's offerings. Canon's vision, realized through superb advances in technology, can help put your business on the path to a brighter future.

## Teaming with Canon

When you select the varioPRINT 6000 series TITAN monochrome digital presses, you're also choosing Canon. Canon seizes every opportunity to improve its technologies to stay at the forefront of innovation. Canon understands that each business and print room is unique, with its own needs. Combining one of the broadest portfolios in the industry—from digital cutsheet, continuous-feed, and wide-format to inkjet, photo printers, and workflow solutions—with both expertise and award-winning support, Canon and its Authorized Dealers can bring new ideas and applications that can help you inspire your customers and improve the productivity of your business.



Discover More:  
[usa.canon.com/productionprinting](https://usa.canon.com/productionprinting)

# varioPRINT 6000 series TITAN

## Specifications

|                                    | varioPRINT<br>6330 TITAN   | varioPRINT<br>6270 TITAN                   | varioPRINT<br>6220 TITAN | varioPRINT<br>6180 TITAN |
|------------------------------------|----------------------------|--|--------------------------|--------------------------|
| <b>Print Speed Letter (Duplex)</b> | Up to 320 ipm              | Up to 266 ipm                              | Up to 216 ipm            | Up to 177 ipm            |
|                                    | 11" x 17"<br>Up to 167 ipm | Up to 143 ipm                              | Up to 116 ipm            | Up to 95 ipm             |
| <b>Monthly Duty Cycle</b>          | Up to 10 Million           | Up to 8 Million                            | Up to 5 Million          | Up to 2.5 Million        |
| <b>Standard Model</b>              | ✓                          | ✓  | ✓                        | ✓                        |
| <b>TPxp Model</b>                  | ✓                          | ✓  | ✓                        | ✓                        |
| <b>MICR Model</b>                  | ✗                          | ✓  | ✓                        | ✓                        |
| <b>Print Resolution</b>            | dpi                        | 600 x 600 or 600 x 1200                    |                          |                          |
|                                    | lpi                        | 85/106/125/141/180                         |                          |                          |
| <b>Paper Capacity<sup>15</sup></b> | Standard                   | Up to 4,600 Sheets                         |                          |                          |
|                                    | Maximum <sup>16</sup>      | Up to 24,000 Sheets                        |                          |                          |
| <b>Paper Size</b>                  | PIM-B1 <sup>17</sup>       | 8" x 8" to 12.6" x 19.2"                   |                          |                          |
|                                    | PIM Flex-A1                | 8" x 8" to 13.8" x 19.7"                   |                          |                          |
| <b>Paper Weight<sup>18</sup></b>   | Uncoated                   | 12 lb. Bond <sup>19</sup> to 110 lb. Cover |                          |                          |
|                                    | Coated                     | 20 lb. Bond to 90 lb. Cover                |                          |                          |

## OPTIONS

### Feeding Options

- Paper Input Module-B1
- Paper Input Module Flex-A1
- Duo Paper Tray-C1
- Statement Size for Paper Input Module-B1
- Form Assist Module II
- Tecna DocuSheeter VP6000 System
- Light Weight Media Kit-A1

### Finishing Options

- High Capacity Stacker
- High Capacity Stacker with Set Finisher
- PowerLift-A1
- iCMU-B1
- Media Enhancement Module
- SDD BLM6200 Booklet Maker
- SDD BLM6300 Booklet Maker
- Plockmatic BLM550+ Booklet Maker
- Videk DocuVison Edge

<sup>15</sup> Capacity based on 20 lb. Bond.

<sup>16</sup> Maximum capacity is for Letter-sized sheets based on 3 PIM configuration, including Duo Tray option in trays 3 and 4.

<sup>17</sup> Statement Size for Paper Input Module-B1 available for support of 7" x 10".

<sup>18</sup> See Customer Expectations Document for detailed media specifications and Approved Media List for a list of validated media.

<sup>19</sup> Requires optional Light Weight Media Kit.

As an ENERGY STAR® Partner, Canon U.S.A., Inc. qualified the varioPRINT 6270 and 6330 TITAN models as meeting the ENERGY STAR® energy efficiency criteria through an EPA recognized certification body. ENERGY STAR and the ENERGY STAR mark are registered U.S. marks. Canon and the GENUINE logo are registered trademarks of Canon Inc. in the United States and may also be registered trademarks or trademarks in other countries. varioPRINT, PRISMA and PRISMA product, logo, and service names are registered trademarks of Canon Production Printing Netherlands B.V. All other referenced product names and marks are trademarks of their respective owners. To view detailed specifications, please consult the *Customer Expectations Document*. Printer output images may be simulated. Specifications and availability subject to change without notice. Not responsible for typographical errors.  
©2024 Canon U.S.A., Inc. All rights reserved.

03/24-0035-9842



[usa.canon.com/productionprinting](https://usa.canon.com/productionprinting)

